

POWERBOSS®

BADGER® PARTS SECTION SW/62E

TABLE OF CONTENTS

Auxiliary Drive Group	36
Battery Group	50
Brake Group	38
Broom Doors (Side Panel) Group	28
Control Box Group	44
Directional Control Group	32
Frame Group	30
Front Bumper Group	2
Front Wheel Group	22
Hopper Group	8
Hopper Lid Group	10
Hydraulic Group	20
Impeller Group	12
Impeller Group - Gasket Mount	14
Lift Arm Group	16
Main Broom Group	24
Main Broom Drive Group	26
Miscellaneous Group	56
Rear Cover Instrumental Group	54
Rear Cover/Seat Group	52
Side Broom Group	4
Side Broom Lift Group	6
Steering Group	40
Parts List	60

Shrinkwrap protective cover

Please Discard



POWERBOSS[®]

BADGER[®]

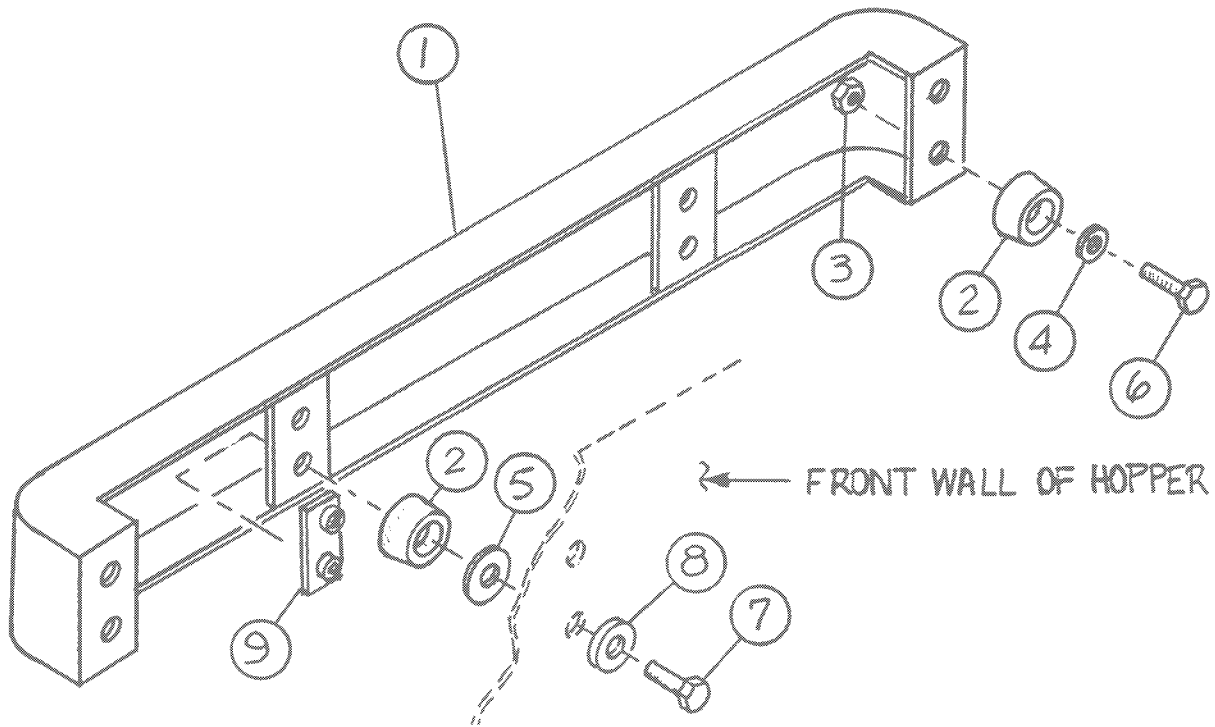
PARTS SECTION

SW/62E

TABLE OF CONTENTS

Auxiliary Drive Group	36
Battery Group	50
Brake Group	38
Broom Doors (Side Panel) Group	28
Control Box Group	44
Directional Control Group	32
Frame Group	30
Front Bumper Group	2
Front Wheel Group	22
Hopper Group	8
Hopper Lid Group	10
Hydraulic Group	20
Impeller Group	12
Impeller Group - Gasket Mount	14
Lift Arm Group	16
Main Broom Group	24
Main Broom Drive Group	26
Miscellaneous Group	56
Rear Cover Instrumental Group	54
Rear Cover/Seat Group	52
Side Broom Group	4
Side Broom Lift Group	6
Steering Group	40
Parts List	60

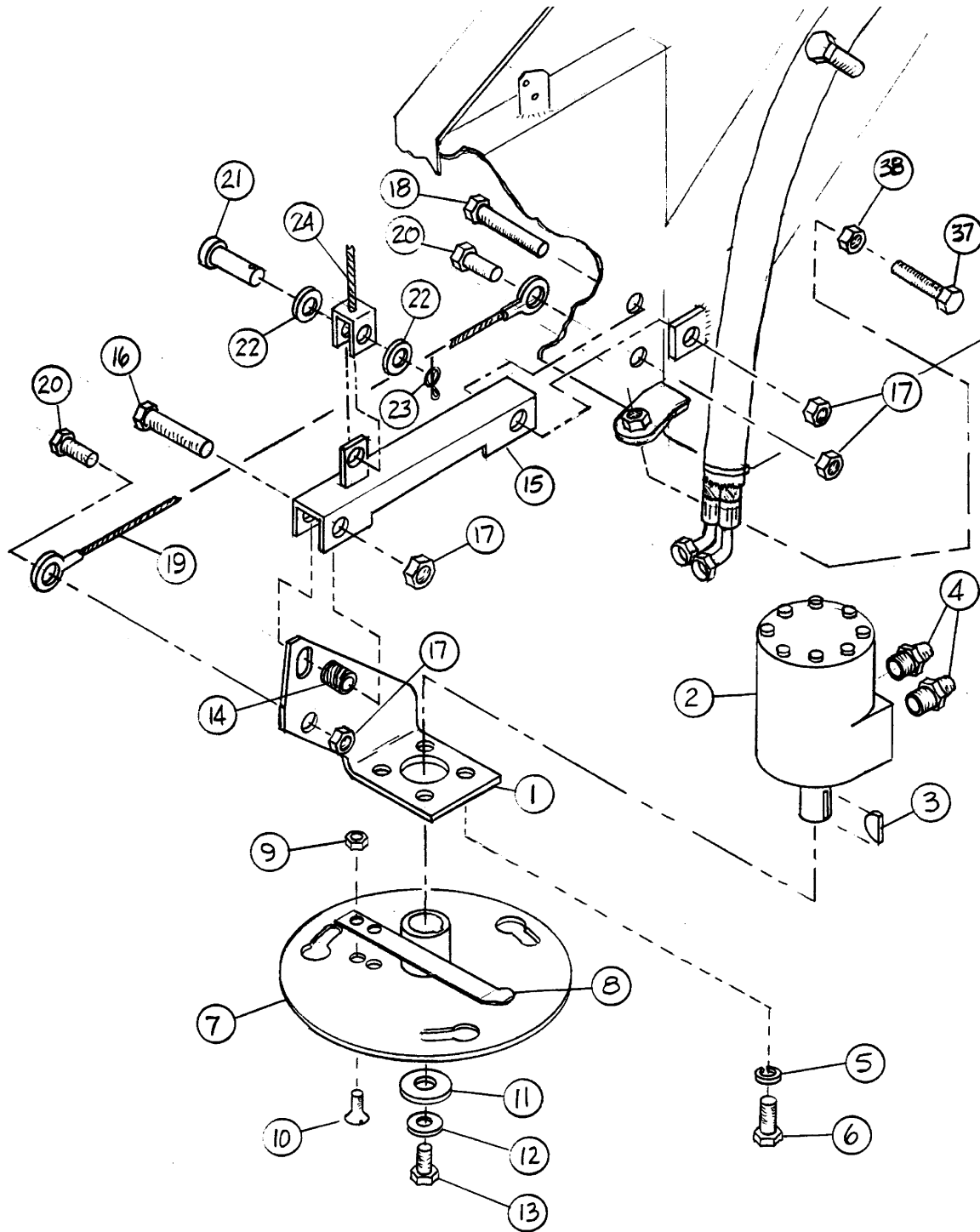
FRONT BUMPER



FRONT BUMPER

Ref. #	Part #	Description	Quantity
1	311305	ASSY - FRONT BUMPER	1
2	302482	BUMPER - RUBBER	8
3	400080	NUT - 5/16-18 NYLOK	8
4	400088	WASHER - 5/16 FLAT	4
5	400092	WASHER - 3/8 FENDER	4
6	400036	BOLT - 5/16-18 X .75 LG ZP	4
7	400033	BOLT - 5/16-18 X 1.5 LG ZP	4
8	400384	WASHER - 5/16 CONICAL	4
9	311754	ASSY - PLATE BUMPER RETAINER	2

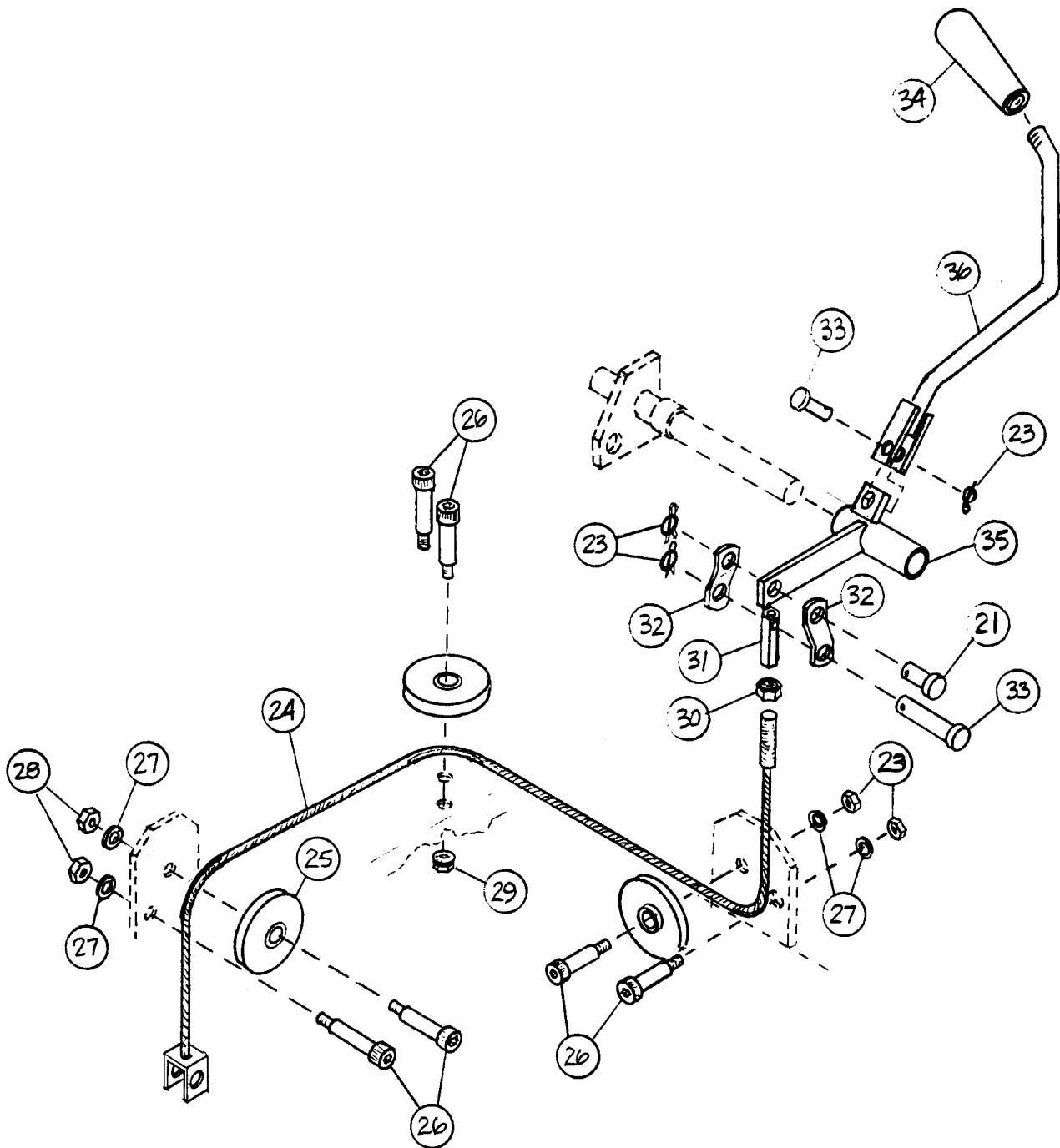
THE SIDE BROOM GROUP



THE SIDE BROOM GROUP

Ref. #	Part #	Description	Quantity
1	311266	MOUNT - SIDE BROOM MOTOR	1
2	311038	MOTOR - HYD SIDE BROOM A-SERIES	1
3	INC. W/#2	KEY	
4	311676	FITTING - HYD STR 7/8-14 TO #4	2
5	400101	WASHER - LOCK 3/8 SPLIT	4
6	400032	BOLT - 3/8-16 X .75 LG ZP	4
7	311262	ASSY - SIDE BROOM HUB	1
8	311265	RETAINER - SIDE BROOM	1
9	400081	NUT - 1/4-20 ES ZP	2
10	400474	BOLT - 1/4-20 X .75 FLATHEAD	2
11	400092	WASHER - FENDER 3/8	1
12	400383	WASHER 1/4 CONICAL SPRING	1
13	400049	SCR - SOCKET HD 1/4-20 X .75	1
14	311566	SPRING - SIDE BROOM	1
15	311336	ASSY - SIDE BROOM ARM	1
16	400020	BOLT - 1/2-13 X 2.0 LG ZP	1
17	400317	NUT - 1/2-13 JAM ES ZP	4
18	400405	BOLT - 1/2-13 X 3.0 LG ZP	1
19	311268	CABLE - SIDE BROOM RETAINER	1
20	400023	BOLT - 1/2-13 X 1.0 LG ZP	2
21	400118	PIN - CLEVIS 5/16 X 7/8	2
22	400088	WASHER - FLAT 5/16 STANDARD ZP	2
23	400125	PIN - COTTER 3/8 RUE-RING	4
24	311342	CABLE - SIDE BROOM LIFT	1
37	400473	BOLT - 3/8-16 X 3.00 FULLTHREAD	1
38	400392	NUT - 3/8-16 FLANGE	1

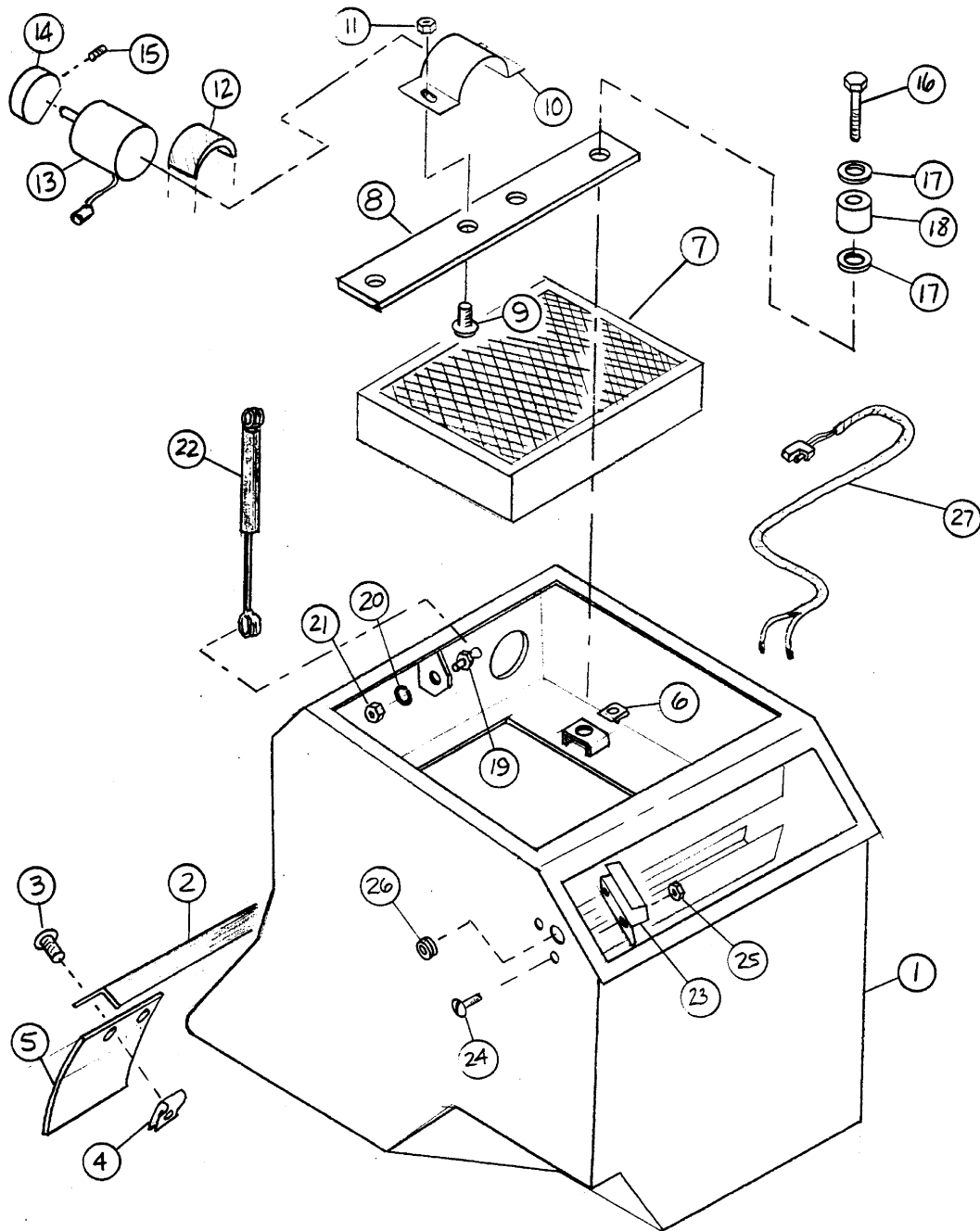
THE SIDE BROOM LIFT GROUP



THE SIDE BROOM LIFT GROUP

Ref. #	Part #	Description	Quantity
25	300368	PULLEY	3
26	400051	SCR - HSS 5/16 X .50	6
27	400103	WASHER - FLANGE 1/4 LOCK	6
28	400071	NUT - 1/4-20	6
29	400063	NUT - 1/4-20 FLANGE	2
30	400069	NUT - 5/16-24	1
31	300202	BAR - CABLE ADJ.	1
32	311343	LINK - SIDE BROOM LIFT	2
33	400185	PIN - CLEVIS 5/16 X 1.25	2
34	300558	KNOB	1
35	311271	ASSY - SIDE BROOM LEVER	1
36	311427	ASSY - SIDE BROOM LIFT LEVER	1

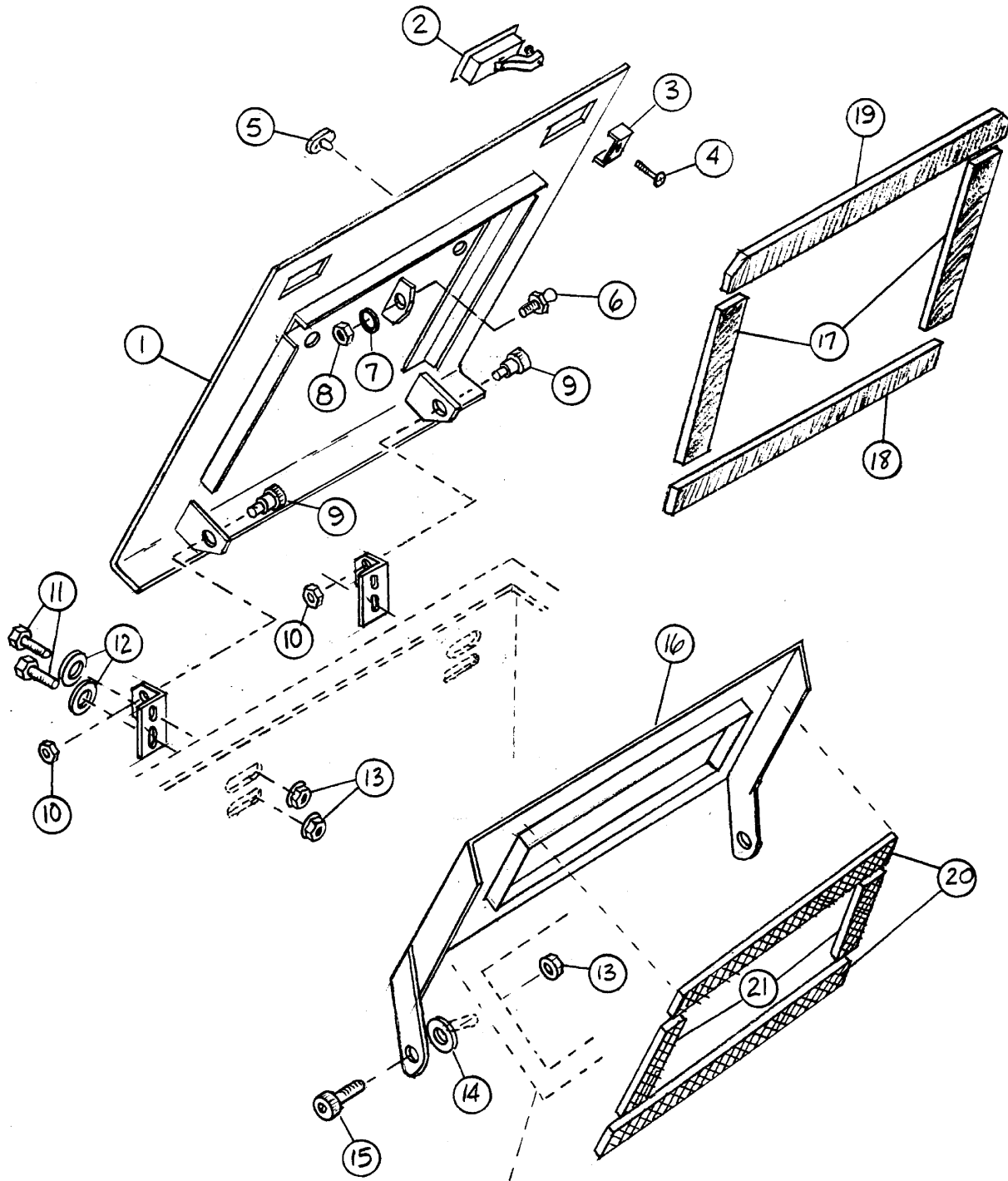
THE HOPPER GROUP



THE HOPPER GROUP

Ref. #	Part #	Description	Quantity
1	311220	ASSY - HOPPER PNTD SW62	1
2	311238	ANGLE - HOPPER FLAP RETAINER	1
3	400059	SCR - TRUSS HD 1/4-20 X .75 SS	8
4	301146	CLIPNUT - 1/4-20	8
5	311237	FLAP - HOPPER LIP	4
6	301155	CLIPNUT - 5/16-18	2
7	311325	FILTER - DUST CONTROL	1
8	311456	BAR - FILTER RETAINER	1
9	400009	BOLT - CARRIAGE 5/16-18 X 1.0 LG	2
10	300915	RETAINER - SHAKER MOTOR	1
11	400390	NUT - FLANGE LOCK 5/16-18	2
12	300904	MOUNT - NEOPRENE SHAKER MOTOR	1
13	305001	MOTOR - SHAKER FILTER, 36V	1
14	301053	WEIGHT - ECCENTRIC	1
15	400055	SCR - SET #10-24 X .31 LONG	1
16	400215	BOLT - 5/16-18 X 4.0 LONG	2
17	400384	WASHER - 5/16 CONICAL SPRING	4
18	307850	ISOLATOR - HOPPER FILTER	2
19	300376	BALL STUD - GAS SPRING	1
20	400102	LOCKWASHER - 5/16	1
21	400070	NUT - 5/16-18	1
22	305006	GAS SPRING	1
23	311331	COVER - HOPPER HARNESS	1
24	400323	SCR - 1/4-20 X .75 TRUSS HEAD	2
25	400063	NUT - 1/4-20 FLANGE	2
26	301665	GROMMET	2
27	307752	HARNESS - FILTER SHAKER	1
	400441	RIVET - 1/8 X 3/8	3
	301358	TIE - WIRE	3
	302776	MOUNT - WIRE TIES	3

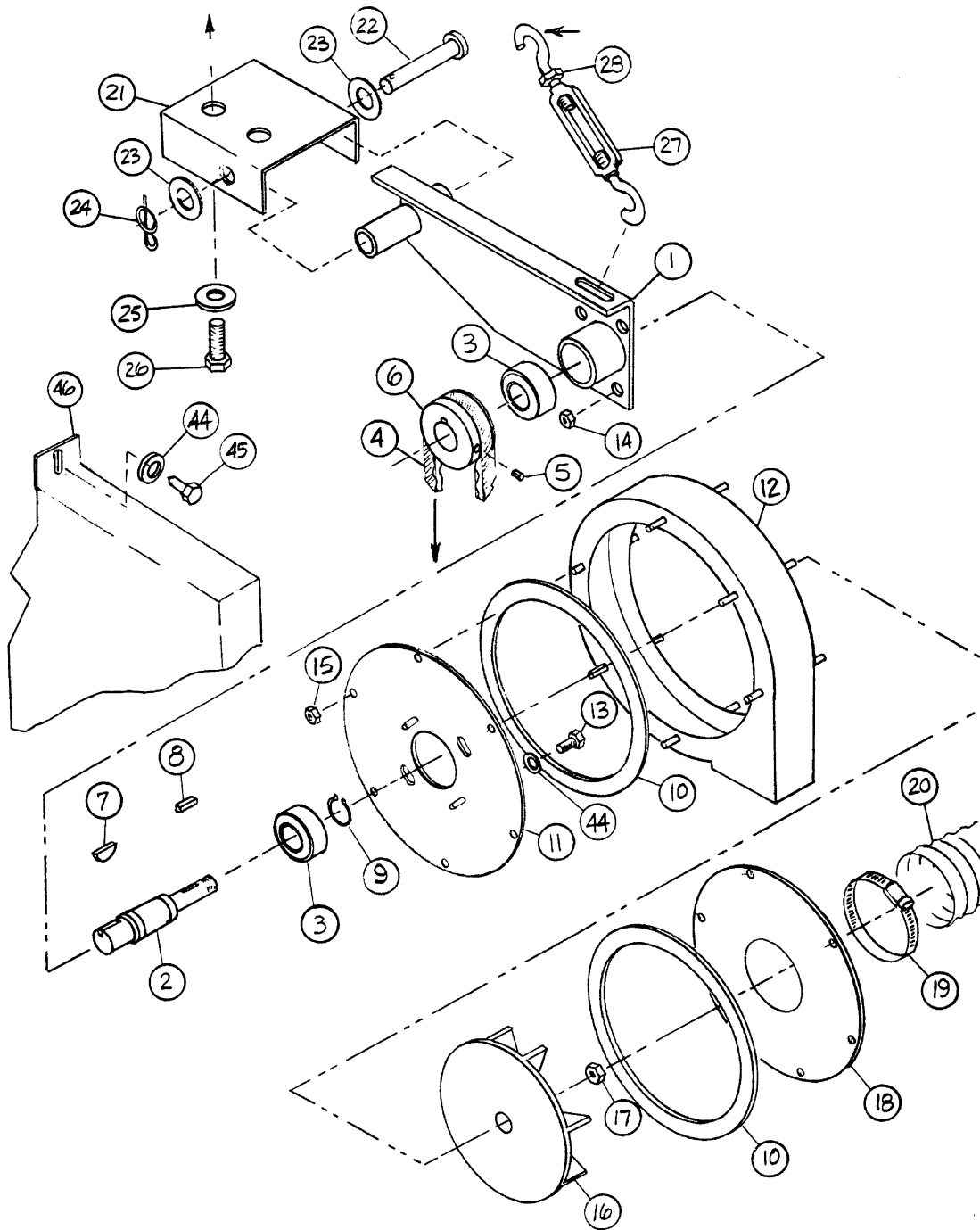
THE HOPPER LID GROUP



THE HOPPER LID GROUP

Ref. #	Part #	Description	Quantity
1	311240	ASSY - HOPPER HOOD SW62 PNTD	1
2	300380	ASSY - LATCH	2
3	INC. W/ #2	BRACKET	
4	INC. W/ #2	SCREW	
5	306203	BUMPER - RUBBER 3/8 X .75	2
6	300376	BALL STUD - GAS SPRING	1
7	400102	WASHER - LOCK 5/16	1
8	400070	NUT - 5/16-18	1
9	400052	BOLT - SHOULD 5/16 DIA X .25 LG	2
10	400063	NUT - FLANGE LOCK 1/4-20	2
11	400035	BOLT - 5/16-18 X 1.0 LG ZP	4
12	400384	WASHER - 5/16 CONICAL SPRING	4
13	400390	NUT - 5/16-18 FLANGE LOCK	6
15	400047	BOLT - SOCKET HEAD 5/16-18 X .75	2
16	311234	ASSY - HOPPER LID SW62 PNTD	1
17	311452	GASKET - FILTER COVER SIDE	2
18	311453	GASKET - FILTER COVER BACK	1
19	311451	GASKET - FILTER COVER FRONT	1
20	311454	GASKET - DUMP DOOR LONG	2
21	311455	GASKET - DUMP DOOR SHORT	2
22	311245	HINGE - FILTER COVER	2

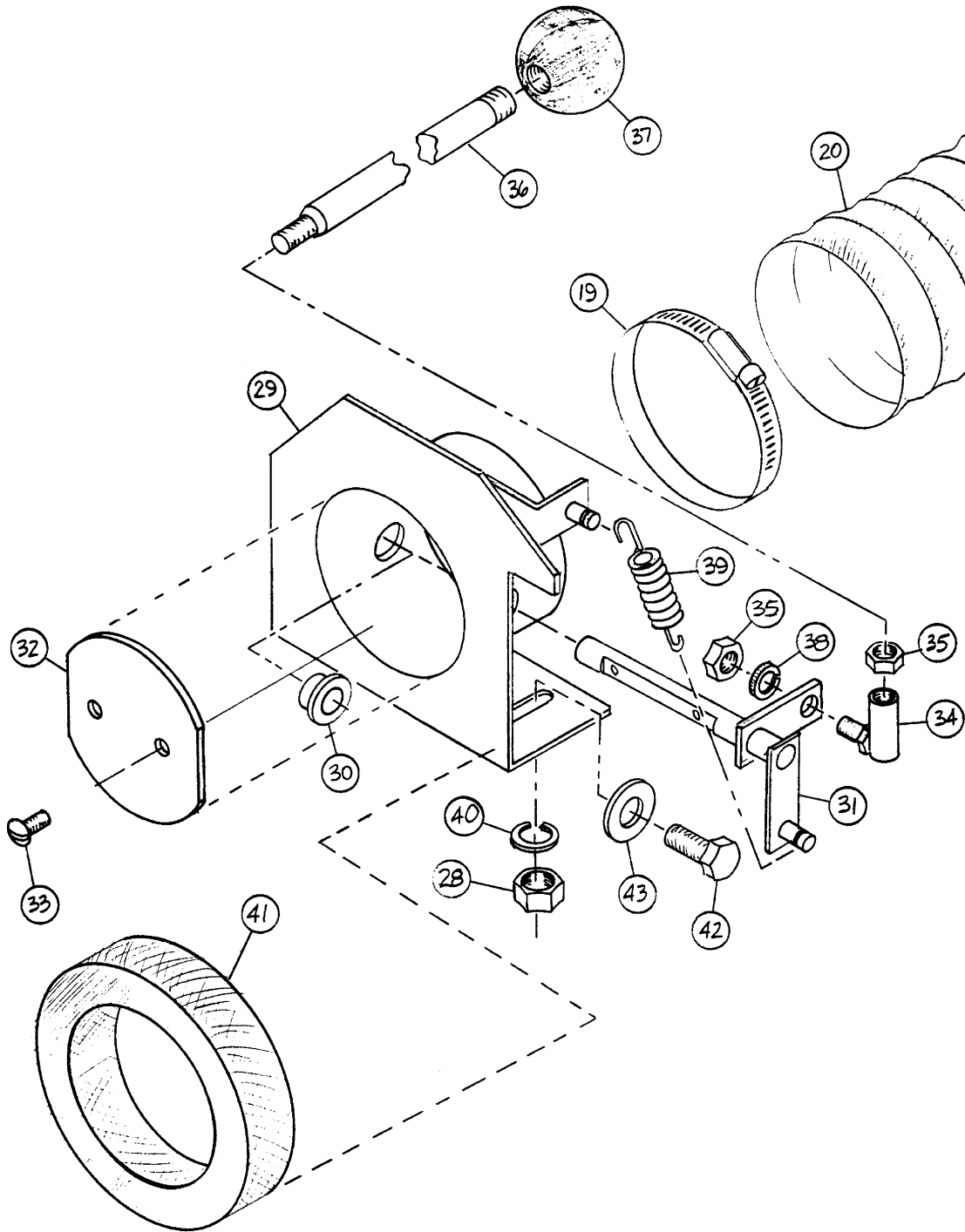
THE IMPELLER GROUP



THE IMPELLER GROUP

Ref. #	Part #	Description	Quantity
1	311257	ASSY - IMPELLER MOUNT	1
2	311249	SHAFT - IMPELLER	1
3	311023	BEARING - 203PP	2
4	305641	BELT - IMPELLER	1
5	400054	SCREW - SET 1/4-20 X .25	2
6	311129	PULLEY - IMPELLER DRIVE	1
7	400465	KEY - WOODRUFF #404	1
8	300344	KEY - SQUARE .125 X .75 LG	1
9	311662	RING - RETAINING TRUARE #5100-66	1
10	304183	GASKET - IMPELLER	2
11	311261	PLATE - IMPELLER HOUSING COVER	1
12	307004	SHROUD - IMPELLER	1
13	400042	BOLT - 1/4 - 20 X .75 LG	4
14	400063	NUT - 1/4-20 FLANGE LOCK	4
15	400081	NUT - 1/4-20 NYLON LOCK	12
16	304002	IMPELLER	1
17	400317	NUT - 1/2-20 NYLOK JAM	1
18	311334	ASSY - IMPELLER INLET PLATE	1
19	300351	CLAMP - IMPELLER HOSE	2
20	311664	HOSE - IMPELLER	1
21	311260	MOUNT - IMPELLER ARM PIVOT	1
22	307794	PIN - CLEVIS 1/2" DIA X 4.5 LG	1
23	400086	WASHER - FLAT 1/2"	2
24	400124	RING - RUE 5/8	1
25	400087	WASHER - FLAT 3/8	2
26	400030	BOLT - 3/8-26 X 1.0 LG	2
27	311660	TURNBUCKLE - HOOK & HOOK	1
28	400080	NUT - 5/16-18	3
44	400383	WASHER - 1/4 CONICAL SPRING	7
45	311374	SCREW - 1/4 SELF TAPPING	3
46	311246	GUARD - BELT	1

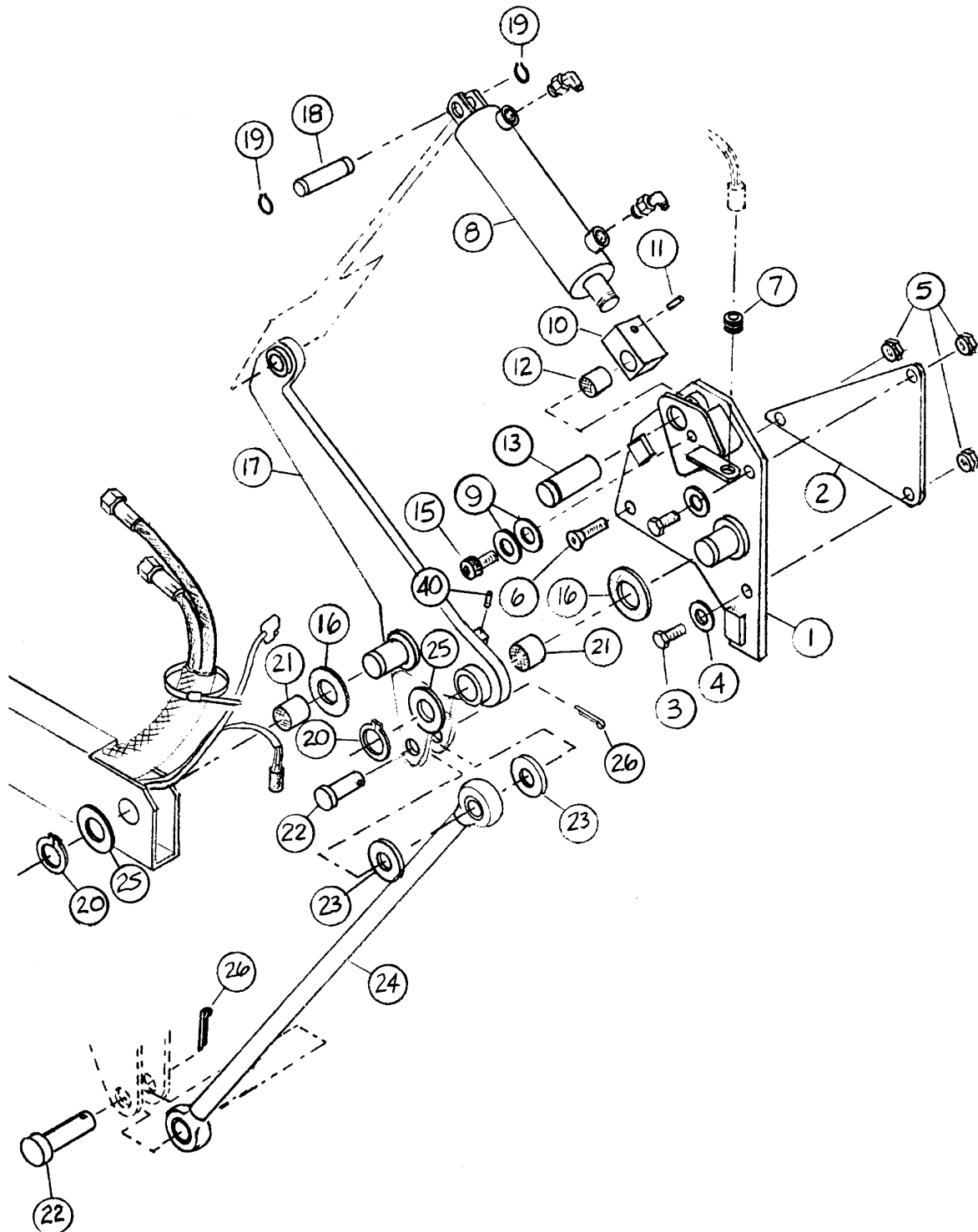
THE IMPELLER GROUP - GASKET MOUNT ASSEMBLY



THE IMPELLER GROUP - GASKET MOUNT ASSEMBLY

Ref. #	Part #	Description	Quantity
29	307182	ASSY - GASKET MOUNT	1
30	300414	BUSHING	2
31	311270	ASSY - BAFFLE ROD	1
32	301498	PLATE - BAFFLE	1
33	400045	SCREW - #8-32 X .62 LG ZP	2
34	301199	BALL JOINT	1
35	400180	NUT - HEX 1/4-28 ZP	2
36	311280	ROD - AIR SHUTOFF	1
37	300563	KNOB - AIR SHUTOFF	1
38	400103	WASHER - LOCK 1/4 SPLIT ZP	1
39	304160	SPRING	1
40	400102	WASHER - LOCK 5/16 SPLIT ZP	2
41	307005	GASKET - IMPELLER	1
42	400035	BOLT - 5/16-18 X 1.0 LONG	2
43	400088	WASHER - FLAT 5/16 ZP	2

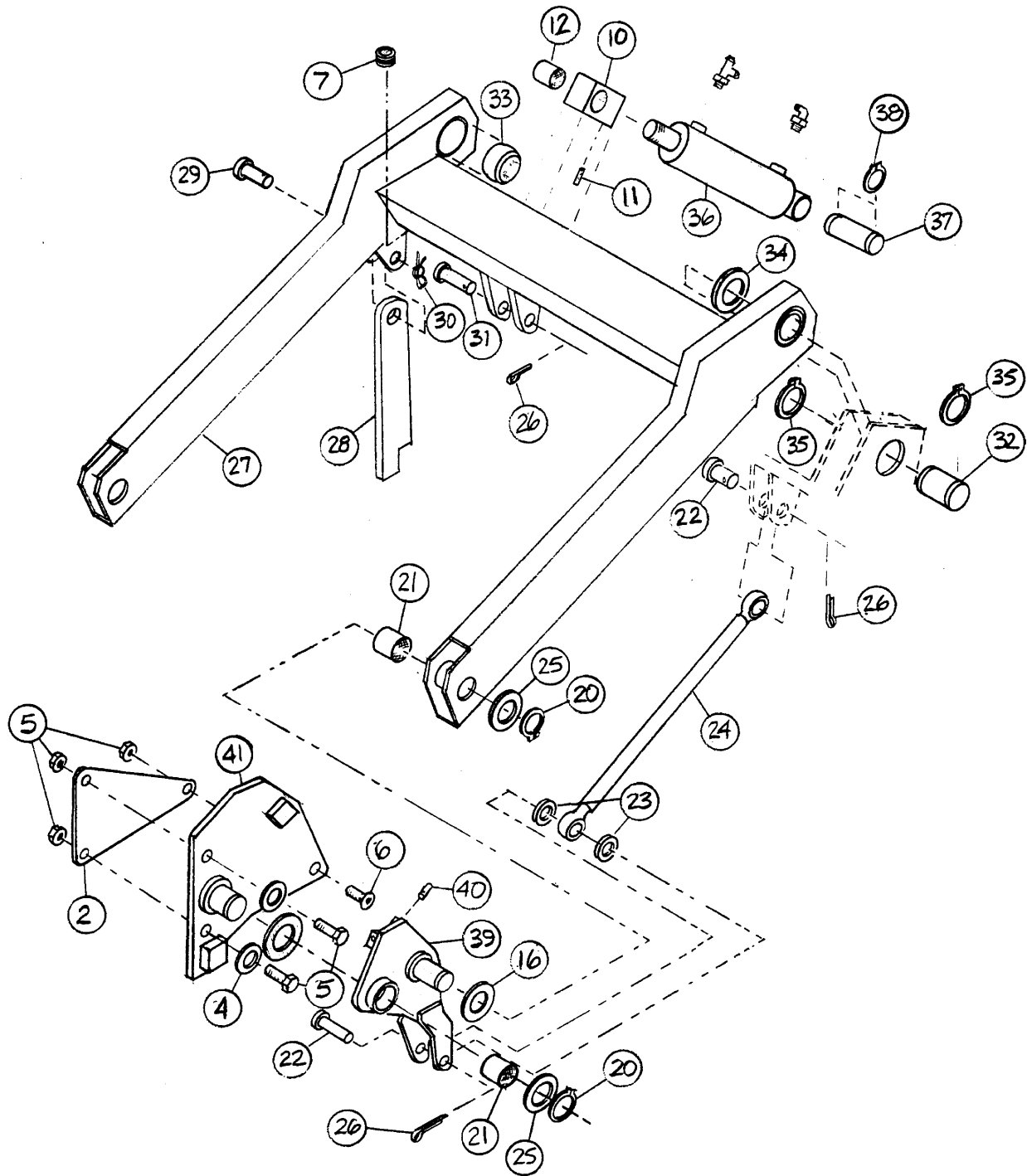
LIFT ARM GROUP



LIFT ARM GROUP

Ref. #	Part #	Description	Quantity
1	311206	ASSY - ROTATION PLATE RH	1
2	311244	PLATE - HOPPER DOUBLER	2
3	400030	BOLT - 3/8-16 X 1.0 LONG	4
4	400087	WASHER - 3/8 FLAT	4
5	400392	NUT - 3/8-16 FLANGE LOCK	6
6	400444	SCREW - FLAT HD 3/8-16 X 1.0	2
7	301665	GROMMET - Z2056	2
8	307323	CYLINDER - ROTATION	1
9	400092	WASHER - 3/8 FENDER	2
10	300229	ASSY - BLOCK CYL END PLTD	2
11	400054	SCREW - SET 1/4-20 X .25 LONG ZP	2
12	300552	BEARING - 1.0 ID X 1.50 LG	2
13	311213	PIN - ROTATION PLATE CYLINDER ZP	1
15	400219	BOLT - 5/16-18 X .50 ZP	1
16	311458	BEARING - FIBERGLIDE LTD-2442	4
17	311200	ASSY - LIFT ARM CYLINDER MOUNT	1
18	307607	PIN - CYL RETAINING	1
19	301998	RETAINING RING	2
20	311330	RETAINING RING 5100-150	4
21	311457	BEARING - FIBERGLIDE CJS-2428	4
22	400439	PIN - CLEVIS 3/4 X 2.00	2
23	311012	WASHER - HI-DUMP SPACER SEC. ARM	4
24	311216	ASSY - SECONDARY LIFT ARM	2
25	311219	WASHER - SPACER ROTATION PLATE	4
26	400120	PIN - COTTER 5/32 X 2.0 ZP	5
27	311181	ASSY - LIFT ARMS	1
28	311316	SAFETY ARM	1
29	400462	PIN - CLEVIS 5/8 X 1.5	1
30	400124	PIN - COTTER 5/8 RUE-RING	1
31	400472	PIN - CLEVIS 1.0 X 3.0 ZP	1
32	311197	PIN - UPPER LIFT ARM ZP	2
33	311029	BEARING - SPHERICAL	2
34	311295	WASHER - SPACER LIFT PINS ZP	4
35	311379	RING - RETAINING 5100-175 1.75	4
36	307243	CYLINDER - LIFT	1

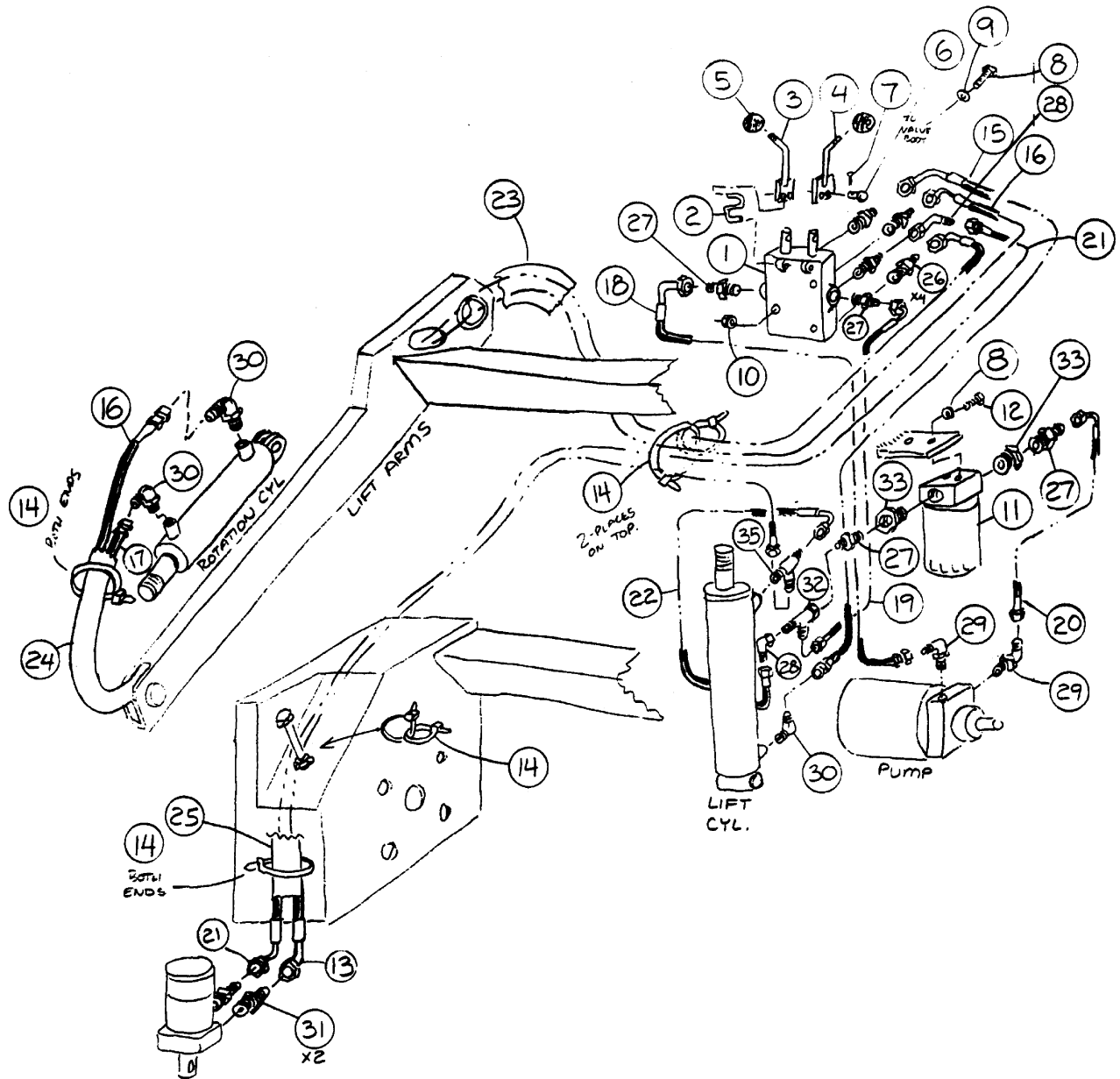
LIFT ARM GROUP (CONT.)



LIFT ARM GROUP (CONT.)

Ref. #	Part #	Description	Quantity
37	307408	PIN - CYLINDER MOUNT	1
38	307431	RING - RETAINING 5100-125	2
39	311198	ASSY - LIFT ARM IDLER	1
40	400446	SCREW - SET 3/8-24 X 1.25 ZP	4
41	311212	ASSY - ROTATION PLATE LH	1

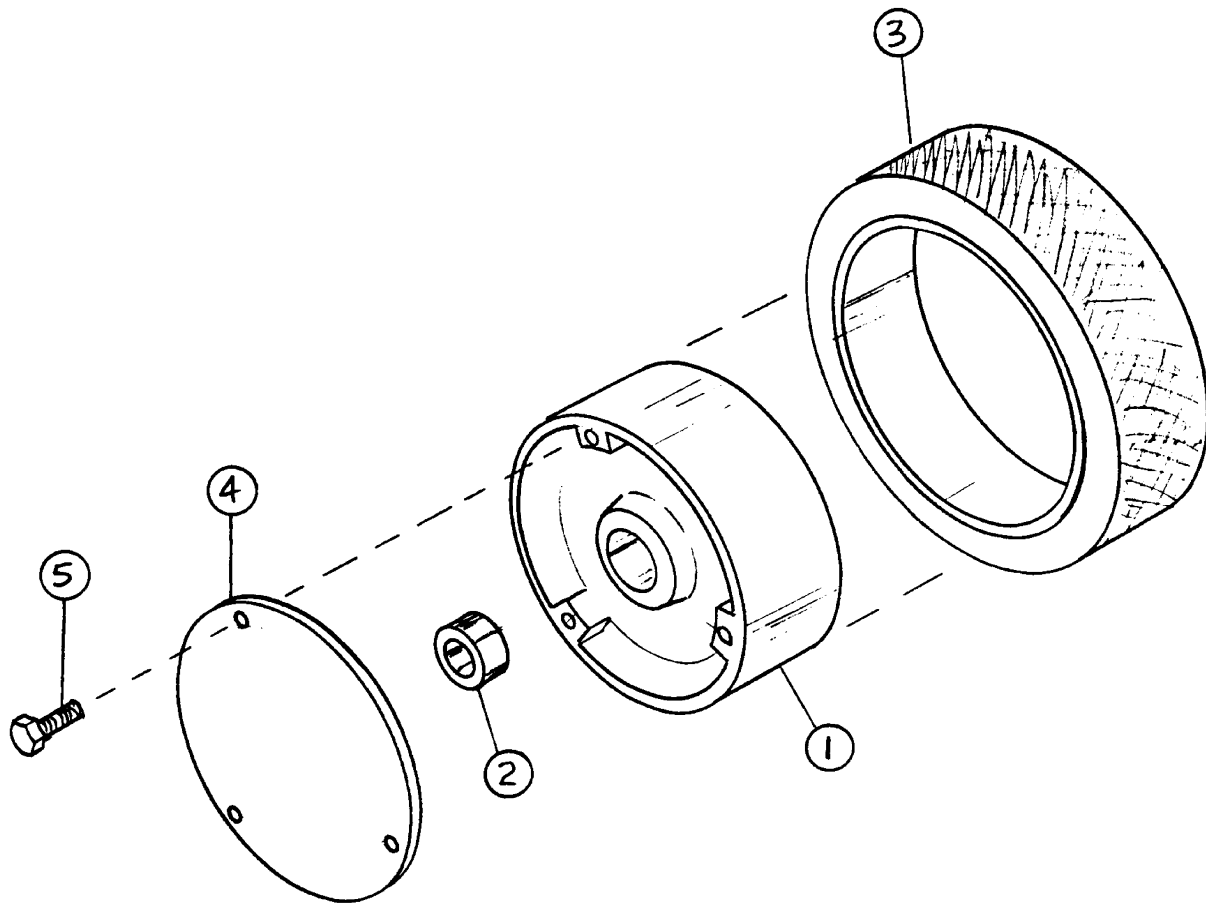
HYDRAULIC GROUP



HYDRAULIC GROUP

Ref. #	Part #	Description	Quantity
1	311014	VALVE - CONTROL	1
2	INC. W/ #1	LINK	
3	311312	LEVER - HOPPER RAISE	1
4	311299	LEVER - ROTATION	1
5	300562	KNOB	2
6	INC. W/ #1	PIN - CLEVIS	
7	INC. W/ #1	PIN - COTTER	
8	400227	BOLT - 1/4-20 X 1.25 LG	3
9	400383	WASHER - CONICAL 1/4 SPRING	5
10	400063	NUT - FLANGE 1/4-20	3
11	304174	FILTER - HYDRAULIC	1
12	400043	BOLT - 1/4-20 X .5 LG	2
13	300624	HOSE - SB MOTOR(LT) TO LIFT CYL TOP	1
14	302267	TIE - NYLON	10
15	311630	HOSE - CONT VALVE TO LIFT CYL	1
16	311631	HOSE - CONT VALVE TO REAR ROT. CYL	1
17	311632	HOSE - CONT VALVE TO FRONT ROT. CYL	1
18	311633	HOSE - PUMP OUT TO CONT VALVE	1
19	311634	HOSE - CONT VALVE TO FILTER IN	1
20	311635	HOSE - FILTER OUT TO PUMP	1
21	311464	HOSE - CONT VALVE TO SB MOTOR (RT)	1
22	311636	HOSE - LIFT CYL TOP TO FILTER IN	1
23	311461	SLEEVE - HOSE LIFT ARM	1
24	311462	SLEEVE - HOSE ROTATION CYL	1
25	311463	SLEEVE - HOSE SIDE BROOM	1
26	400264	FITTING - HYD 9/16-18 TO #4 STR	4
27	400150	FITTING - HYD 3/4-16 TO #4 STR	4
28	400245	FITTING - HYD #4 90 DEGREE ADAPTER	2
29	400470	FITTING - HYD 9/16-18 TO #4 90 DEGREE	2
30	400152	FITTING - HYD 1/2-20 TO #5 90 DEGREE	3
31	311676	FITTING - HYD 7/8-14 TO #4 STR JIC	2
32	306819	FITTING - HYD RUN TEE SWIVEL #4 JIC	1
33	400167	FITTING - HYD AD 1-1/16 - 12 EXT TO 3/4-16 INT	2
35	400162	FITTING - HYD TEE OFFSET 1/2-20 TO #5	1

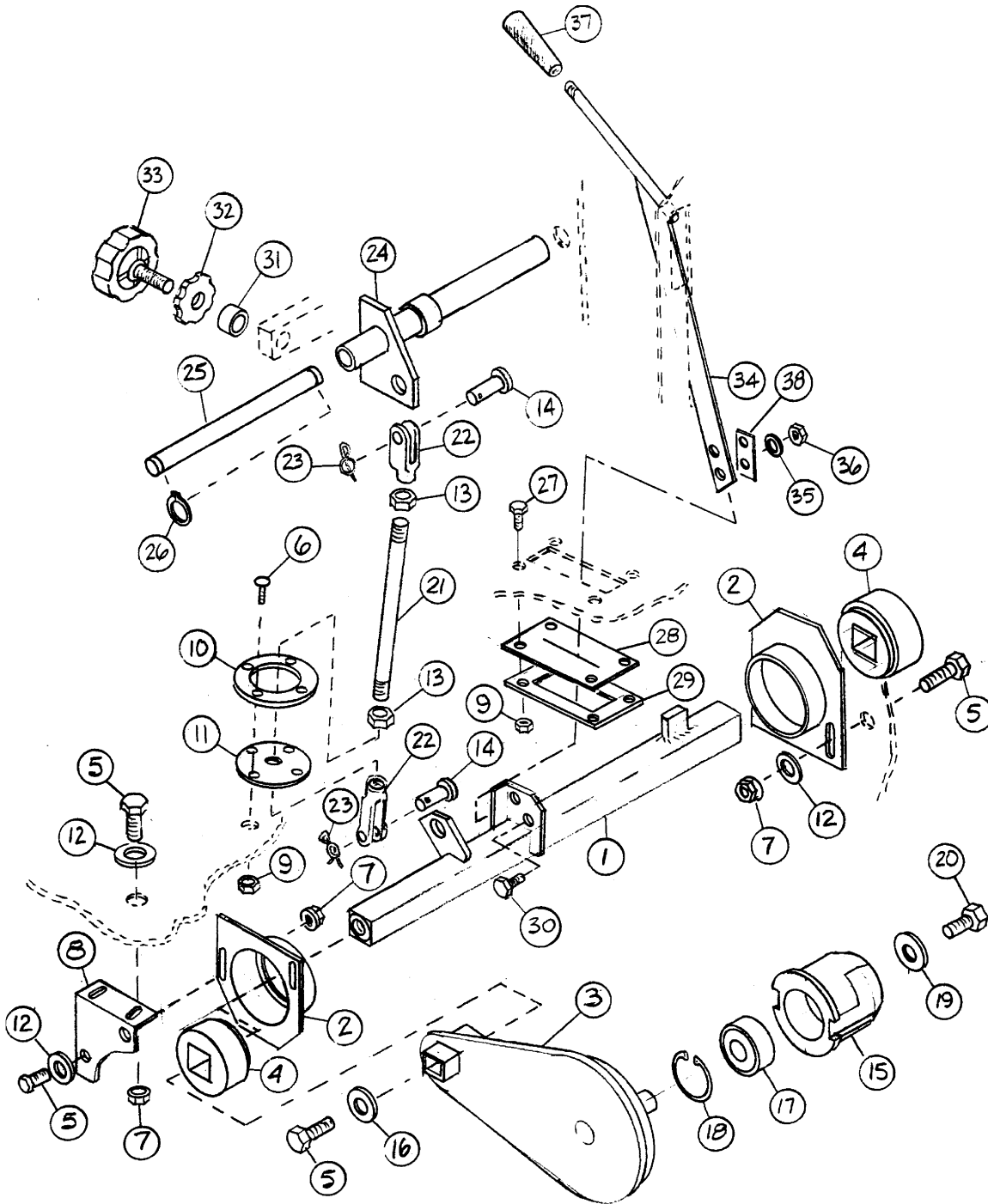
FRONT WHEEL GROUP



FRONT WHEEL GROUP

Ref. #	Part #	Description	Quantity
1	311094	RIM - FRONT	1
2	300469	BEARING - 205 PP	2
3	311003	TIRE - SOLID PRESS-ON 4 X 18 X 14 ID	1
4	311124	COVER - WHEEL	1
5	400043	BOLT - 1/4-20 X .50 LG ZP	3

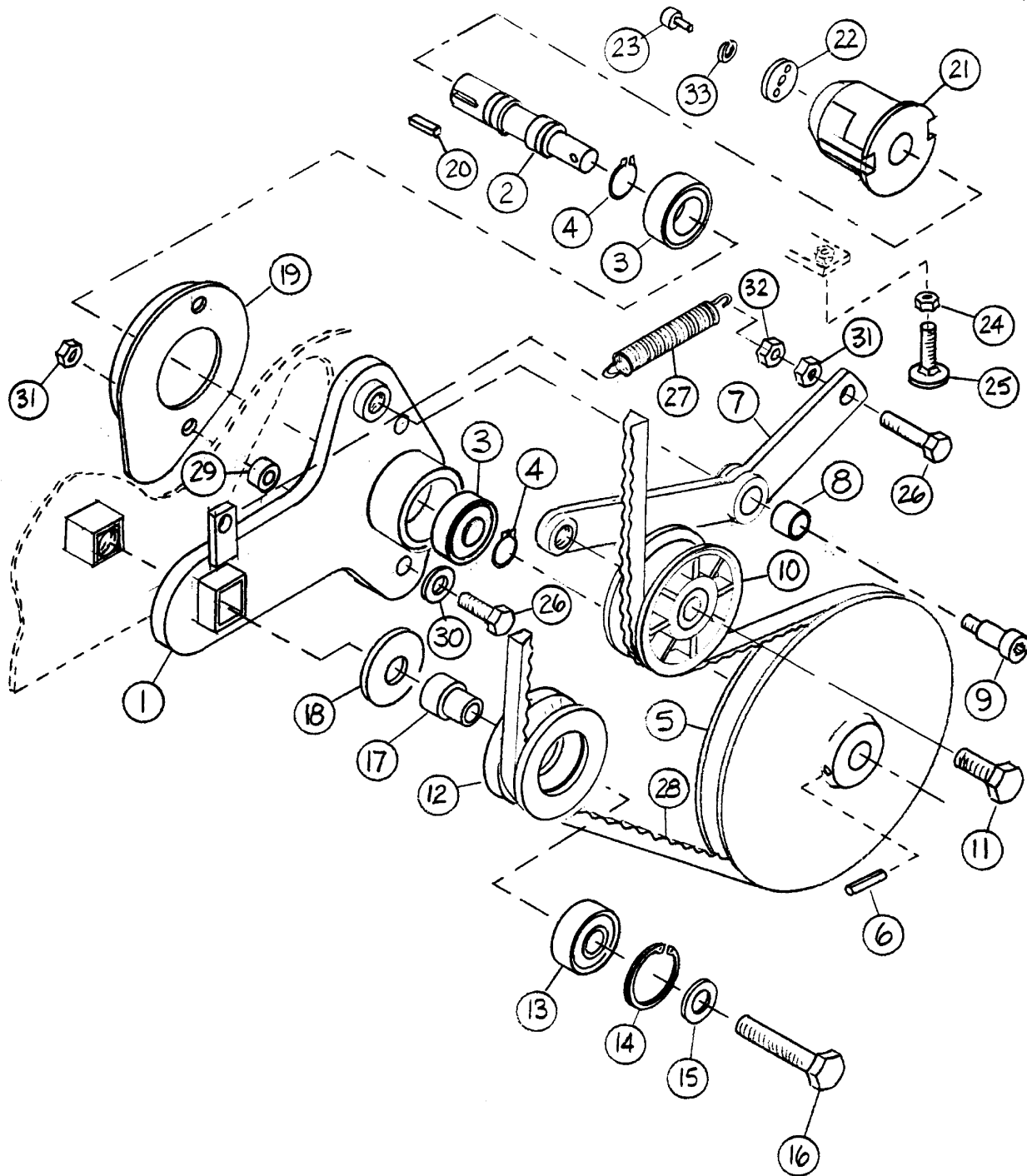
MAIN BROOM GROUP



MAIN BROOM GROUP

Ref. #	Part #	Description	Quantity
1	311154	ASSY - MAIN BROOM PIVOT TUBE	1
2	311161	ASSY - MB TUBE BRG MNT	2
3	311147	ASSY - BROOM IDLER PLATE	1
4	311022	BUSHING - MAIN BROOM	2
5	400030	BOLT - 3/8-16 X 1.0 LG	7
6	400042	BOLT - 1/4-20 X .75 LG	4
7	400392	NUT - FLANGE 3/8-16	7
8	311160	ANGLE - MB BEARING MOUNT	1
9	400081	NUT - NYLOK 1/4-20	4
10	306246	RING - SEAL RETAINER	1
11	301386	SEAL - DUST	1
12	400385	WASHER - 3/8 CONICAL SPRING	4
13	400069	NUT - 5/16-24	2
14	400184	PIN - CLEVIS 5/16 X 1.12 LG	2
15	301051	HUB - BROOM IDLER	1
16	311013	WASHER - MB RETAINER	1
17	300469	BEARING - 205PP	1
18	300475	RING - RETAINER INTERNAL	1
19	400091	WASHER - FENDER 1/2	1
20	400022	BOLT - 1/2-13 X 1.25 LG	1
21	311166	ROD - MB LIFT	1
22	307642	CLEVIS - 5/16-24	2
23	400125	RING - RUE 3/8	2
24	311167	ASSY - BROOM LIFT PIVOT	1
25	311172	ROD - PIVOT RETAINER	1
26	300548	RING - RETAINING EXT.	2
27	400042	BOLT - 1/4-20 X .75 LG	4
28	311424	SEAL - M BROOM LEVER	1
29	311425	RETAINER - MB LEVER SEAL	1
30	400035	BOLT - 5/16-18 X 1.0 LG	2
31	301440	SPACER - MAIN BROOM	1
32	311344	KNOB - MB ADJUSTMENT LOCK	1
33	311370	KNOB - MB ADJUSTMENT	1
34	311164	ASSY - LEVER BROOM LIFT	1
35	400384	WASHER - 5/16 CONICAL SPRING	2
36	400390	NUT - 5/16-18 FLANGE	2
37	300558	HANDLE	1
38	311426	SPACER - MB LIFT	2

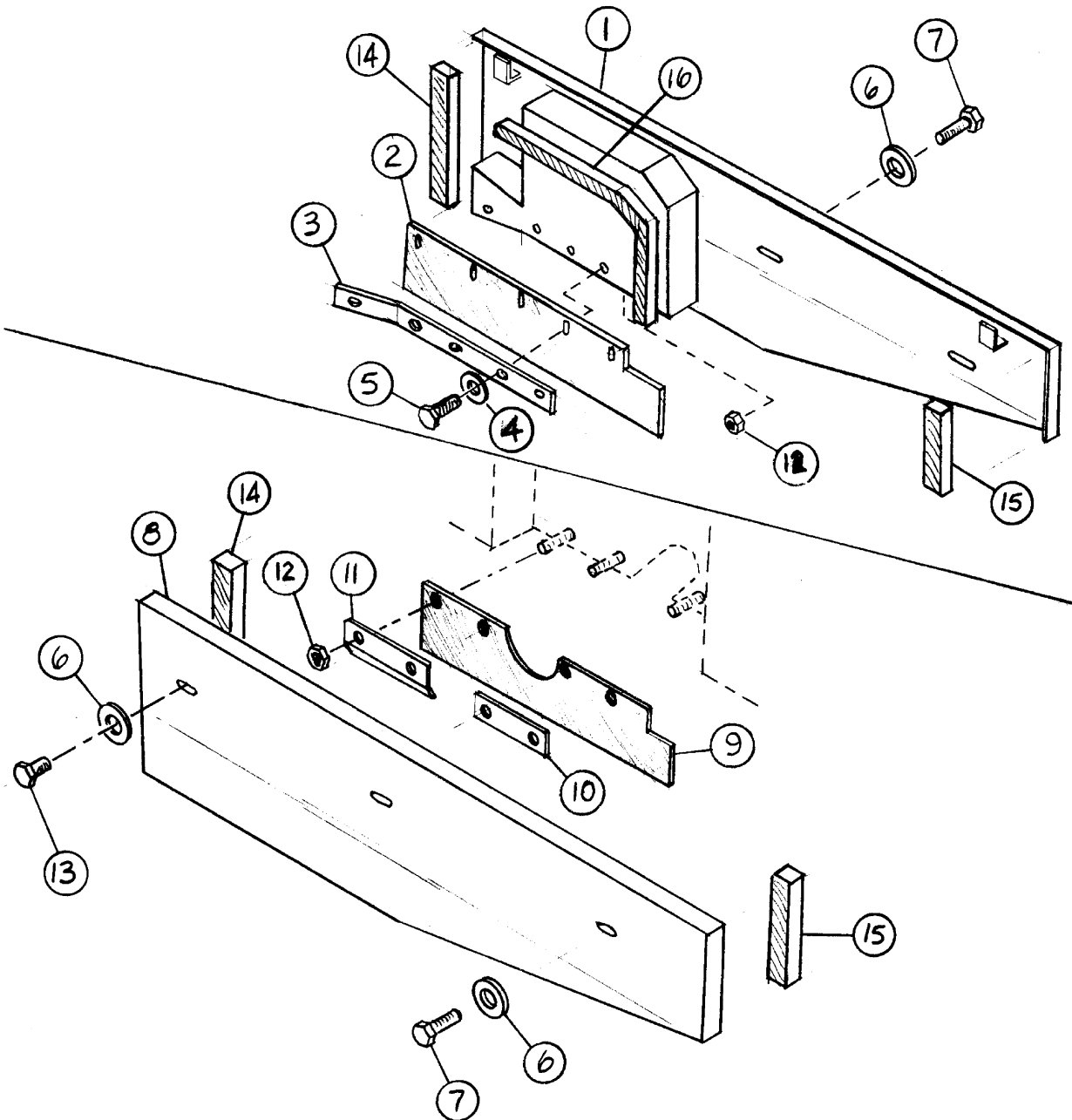
MAIN BROOM DRIVE GROUP



MAIN BROOM DRIVE GROUP

Ref. #	Part #	Description	Quantity
1	311134	ASSY - MB DRIVE ARM	1
2	311143	SHAFT - MAIN BROOM DRIVE	1
3	300469	BEARING - 205PP	2
4	311032	RING - RETAINING TRUARC 5160-98	2
5	311037	PULLEY - MB DRIVE	1
6	400461	PIN - ROLL 7/32 X 1.50 LG	1
7	311149	ARM - TENSION MB	1
8	311159	BUSHING - BRONZE	1
9	311122	BOLT - SHOULDER 1/2 DIA X 3/4 LG	1
10	311028	PULLEY - IDLER MB	1
11	400028	BOLT - 3/8-16 X 1.50 LG	3
12	311025	PULLEY - MB PIVOT	1
13	311023	BEARING - 203 PP	1
14	311024	RING - RETAINING TRUARC N5000-156	1
15	400087	WASHER - 3/8 FLAT	1
16	400031	BOLT - 3/8-16 X 2 LG	1
17	311026	SPACER	1
18	311013	WASHER - MB RETAINER	1
19	311144	ASSY - MAIN BROOM SIDE SHIELD	1
20	301718	KEY - 1/4 SQ X .88 LG	1
21	301050	DRIVE HUB	1
22	301285	PLATE - RETAINER DRIVE HUB	1
23	400049	BOLT - 1/4-20 X .75 LG	3
24	400068	NUT - 3/8-16	4
25	400355	SCR - LEVEL BOLT 3/8-16 X 2.5 LG	1
26	400029	SCR - HHM 3/8-16 X 1.25 LG	1
27	311033	SPRING	1
28	311324	BELT (3VX-510)	1
29	311146	SPACER - MB DRIVE	2
30	400385	WASHER - 3/8 CONICAL SPRING	2
31	400070	NUT - 5/16-18	1
32	400080	NUT - 5/16-18 ES	1
33	400103	WASHER - LOCK 1/4	3

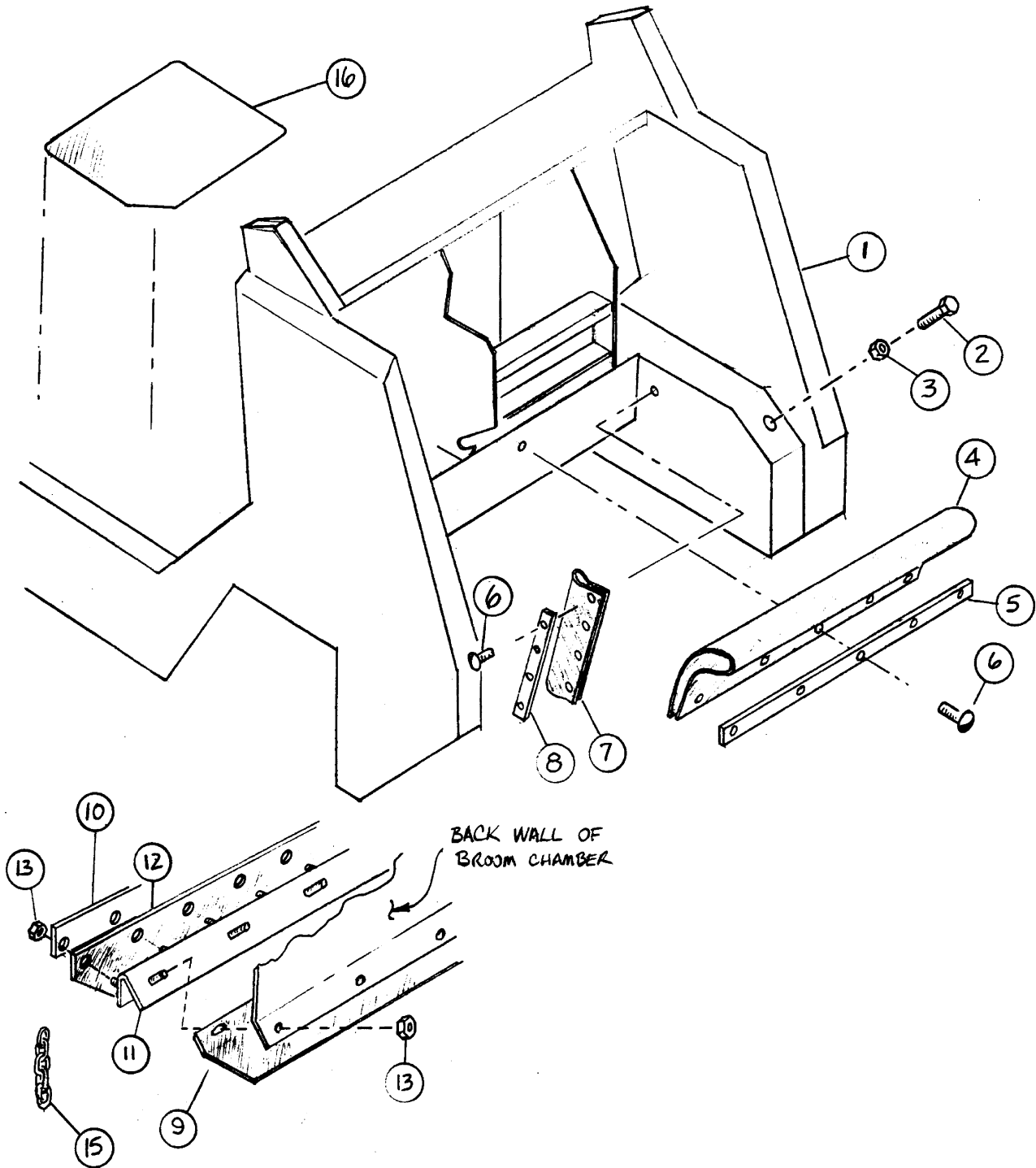
BROOM DOORS (SIDE PANEL) GROUP



BROOM DOORS (SIDE PANEL) GROUP

Ref. #	Part #	Description	Quantity
1	311278	ASSY - BROOM DOOR RIGHT	1
2	311432	FLAP - BROOM DOOR RIGHT	1
3	311329	STRAP - BROOM DOOR RETAINER RIGHT	1
5	400035	BOLT - 5/16 -18 X 1.0 LG ZP	5
6	311327	WASHER - NYLON	6
7	400029	BOLT - 3/8-16 X 1.25 LP ZP	4
8	311275	ASSY - BROOM DOOR LEFT	1
9	311429	FLAP - BROOM DOOR LEFT	1
10	311431	STRAP - BROOM DOOR LEFT REAR	1
11	311430	STRAP - BROOM DOOR LEFT FRONT	1
4&12	400080	NUT - 5/16-18 ES ZP	9
13	400032	BOLT - 3/8-16 X .75 (FRONT BOLT ONLY)	2
	400088	WASHER - FLAT 5/16	5
	311465	SEAL - FRONT	2
	311466	SEAL - REAR	2
	311467	SEAL - CENTER (AROUND DOOR)	1

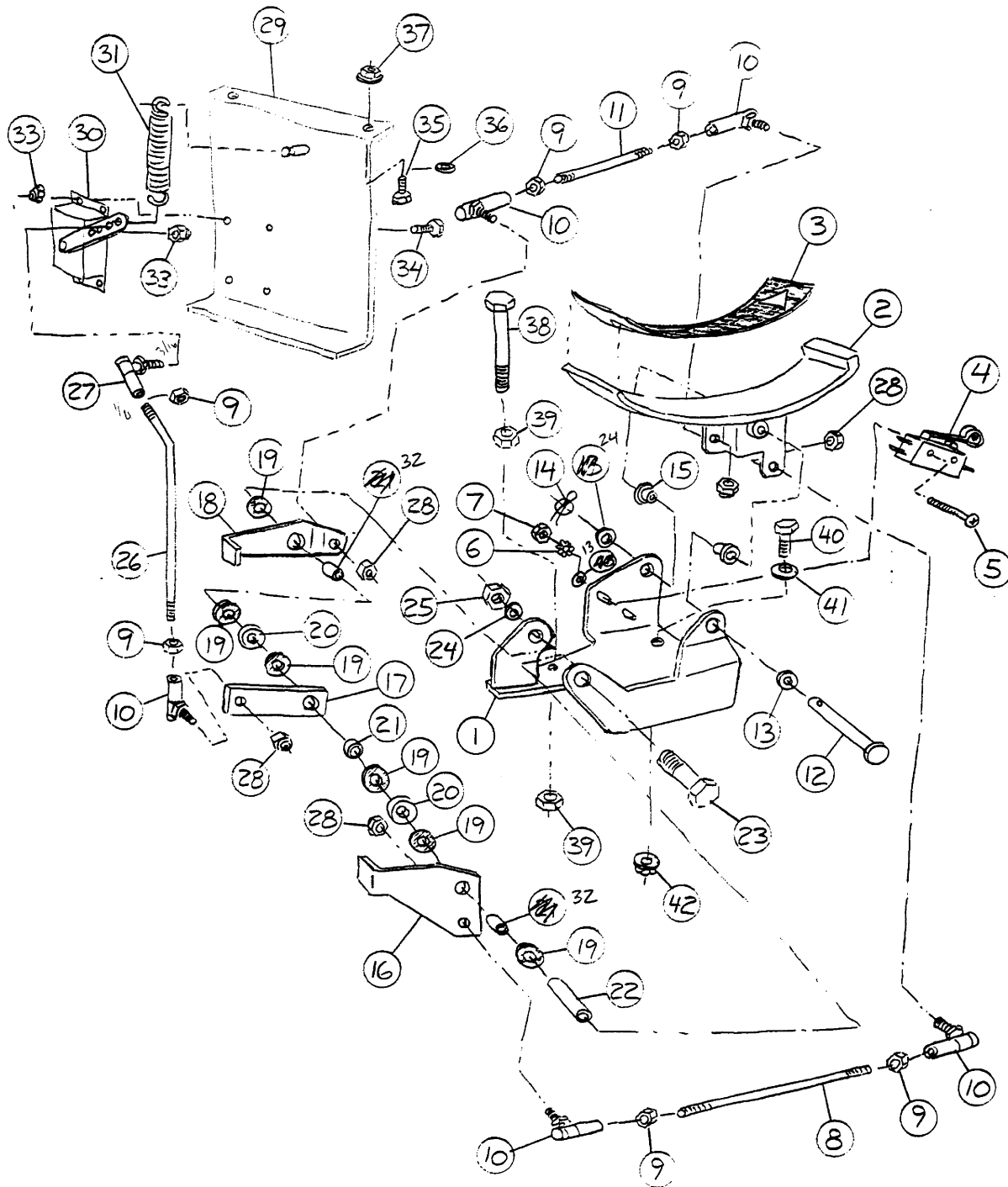
FRAME GROUP



FRAME GROUP

Ref. #	Part #	Description	Quantity
1	311040	ASSY - FRAME SW/62	1
2	400405	BOLT - 1/2-13 X 3.0 LG ZP	2
3	400065	NUT - HEX 1/2-13	2
4	311123	SEAL - FRONT FRAME	1
5	311417	BAR - RETAINER FRONT FLAP	1
6	400056	BOLT - 5/16-18 X 1.0 LG ZP	13
7	311413	SEAL - HOPPER SIDE	2
8	311414	BAR - SEAL RETAINER SIDE PNTD	2
9	311125	ASSY - FLAP RECIRCULATION LAMINATED	1
10	311390	STRAP - RETAINER REAR FLAP PNTD	1
11	311391	ASSY - ANGLE REAR FLAP MOUNT	1
12	311130	FLAP - REAR BROOM CHAMBER	1
13	400080	NUT - HEX 5/16-18 ES ZP	12
15	307658	CHAIN - GROUNDING	1
16	304042	MAT - FLOOR	1

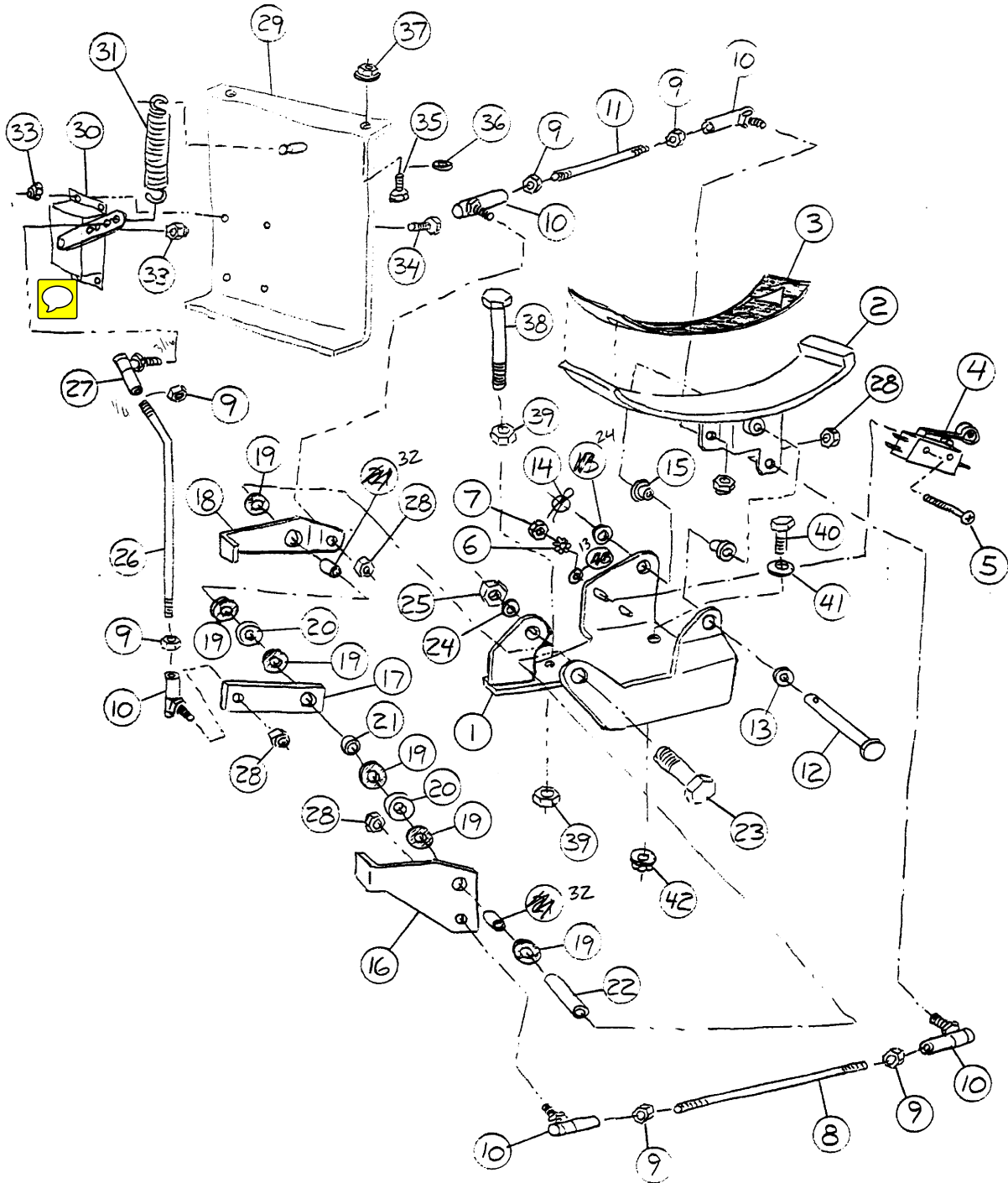
DIRECTIONAL CONTROL GROUP



DIRECTIONAL CONTROL GROUP

Ref. #	Part #	Description	Quantity
1	311286	BASE - PEDAL	1
2	311292	PEDAL - DIR CONTROL	1
3	300544	PAD - FOOT PEDAL	1
4	307590	SWITCH - FWD/REV	1
5	400428	SCREW	2
6	400469	LOCKWASHER - SPLIT	2
7	400299	NUT - #6-32	2
8	311291	ROD - DIR CONTROL - LONG	1
9	400180	NUT - 1/4-28 UNF	6
10	301199	BALL JOINT - 1/4	5
11	311290	ROD - DIR CONTROL - SHORT	1
12	400114	PIN - CLEVIS 3/8-4.00 LG	1
13	400096	WASHER - FLAT #8	2
14	400125	RING - RUE 3/8	1
15	300414	BUSHING - NYLON	2
16	311283	ARM - DIR CONTROL - FORWARD	1
17	311285	ARM - DIR CONTROL - CENTER	1
18	311284	ARM - DIR CONTROL - REVERSE	1
19	400178	WASHER - FIBERGLIDE 1/2	6
20	311297	SPACER - DIR CONTROL	2
21	300431	BUSHING	1
22	311438	SPACER - DIR CONTROL	1
23	400434	BOLT - 3/8-16 X 2.5 LG	1
24	400087	WASHER - FLAT 3/8	3
25	400079	NUT - ES 3/8-16	1
26	311289	ROD - DIRECTIONAL	1
27	311437	BALL JOINT - 1/4 TO 3/16	1
28	400373	NUT - ES 1/4-28 UNF	5
29	311385	POTENTIOMETER MNT PLATE	1
30	311017	POTENTIOMETER BOX	1
31	311439	SPRING	1
32	311679	BUSHING	2
33	400172	NUT - ELASTIC STOP #10-32	5
34	400204	SCREW - 10-32 X 5/8 LG	4
35	400042	BOLT - 1/4-20 X .75 LG	2
36	400383	WASHER - CONICAL SPRING 1/4	2

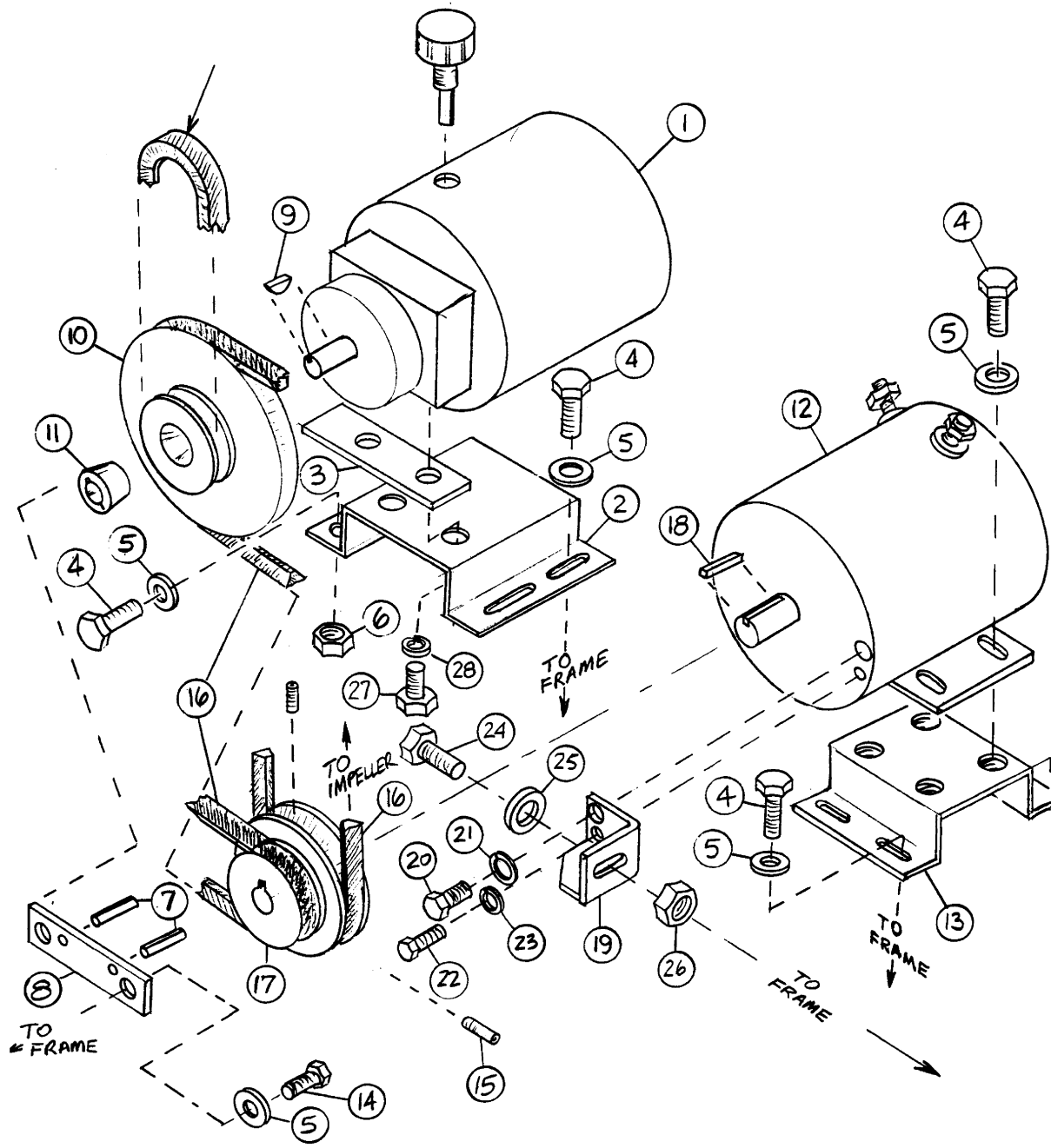
DIRECTIONAL CONTROL GROUP (CONT.)



DIRECTIONAL CONTROL GROUP (CONT.)

Ref. #	Part #	Description	Quantity
37	400063	NUT - FLANGE 1/4-20	2
38	400234	BOLT - PEDAL STOP 3/8-16 X 5 LG	1
39	400068	NUT - 3/8-16	2
40	400030	BOLT - 3/8-16 X 1 LG	1
41	400385	WASHER - CONICAL SPRING 3/8	1
42	400392	NUT - FLANGE 3/8-16	1

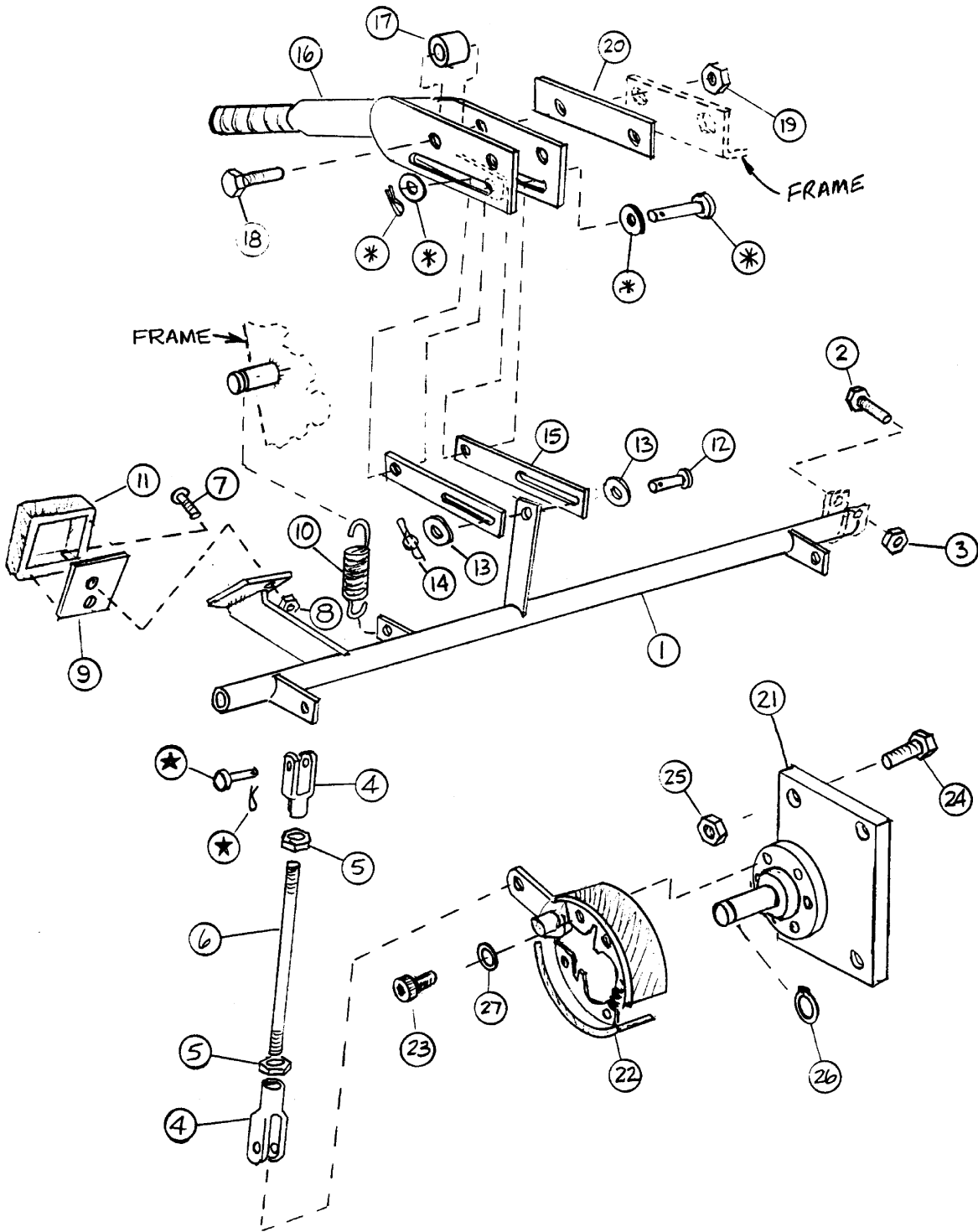
AUXILIARY DRIVE GROUP



AUXILIARY DRIVE GROUP

Ref. #	Part #	Description	Quantity
1	311006	PUMP - HYD UNIT W/RESERVOIR	1
2	311174	ASSY - PUMP MOUNT	1
3	311319	SPACER - PUMP	1
4	400030	BOLT - 3/8-16 X 1	8
5	400385	WASHER - 3/8 CONICAL SPRING	10
6	400392	NUT - 3/8 FLANGE LOCK	2
7	400458	PIN - ROLL 3/16 X 1.25	2
8	311310	PLATE - BELT RETAINER	1
9	INC. W/ # 1	KEY - WOODRUFF #404	1
10	311035	PULLEY - TAPER LOCK	1
11	311322	BUSHING - TAPER LOCK 1008	1
12	311004	MOTOR - ELECTRIC AUX	1
13	311320	PLATE - MOTOR MOUNT	1
14	400032	BOLT - 3/8-16 X .75 LG	2
15	400459	SCREW - SET 1/4-20 X .62	2
16	305641	BELT - AUX DRIVE (3VX-355)	2
17	311030	PULLEY - MOTOR AUX DRIVE	1
18	400460	KEY - 1/8 X 1.25 LG	1
19	311178	ASSY - BRACKET BELT TENSION	1
20	400032	BOLT - 3/8-16 X .75 LG	1
21	400101	WASHER - LOCK 3/8	1
22	400042	BOLT - 1/4-20 X .75	1
23	400103	WASHER - LOCK 1/4	1
24	400019	BOLT - 1/2-13 X 2.5 LG	1
25	400086	WASHER - FLAT 1/2	1
26	400065	NUT - 1/2-13	1
27	400030	BOLT - 3/8-16 X 1.0 LG	2
28	400087	WASHER - FLAT 3/8	2
	400384	WASHER - 5/16-18 CONICAL SPRING	4
	400035	BOLT - 5/16-18 X 1.0 LG	4
	400390	NUT - 5/16-18 FLANGE	4

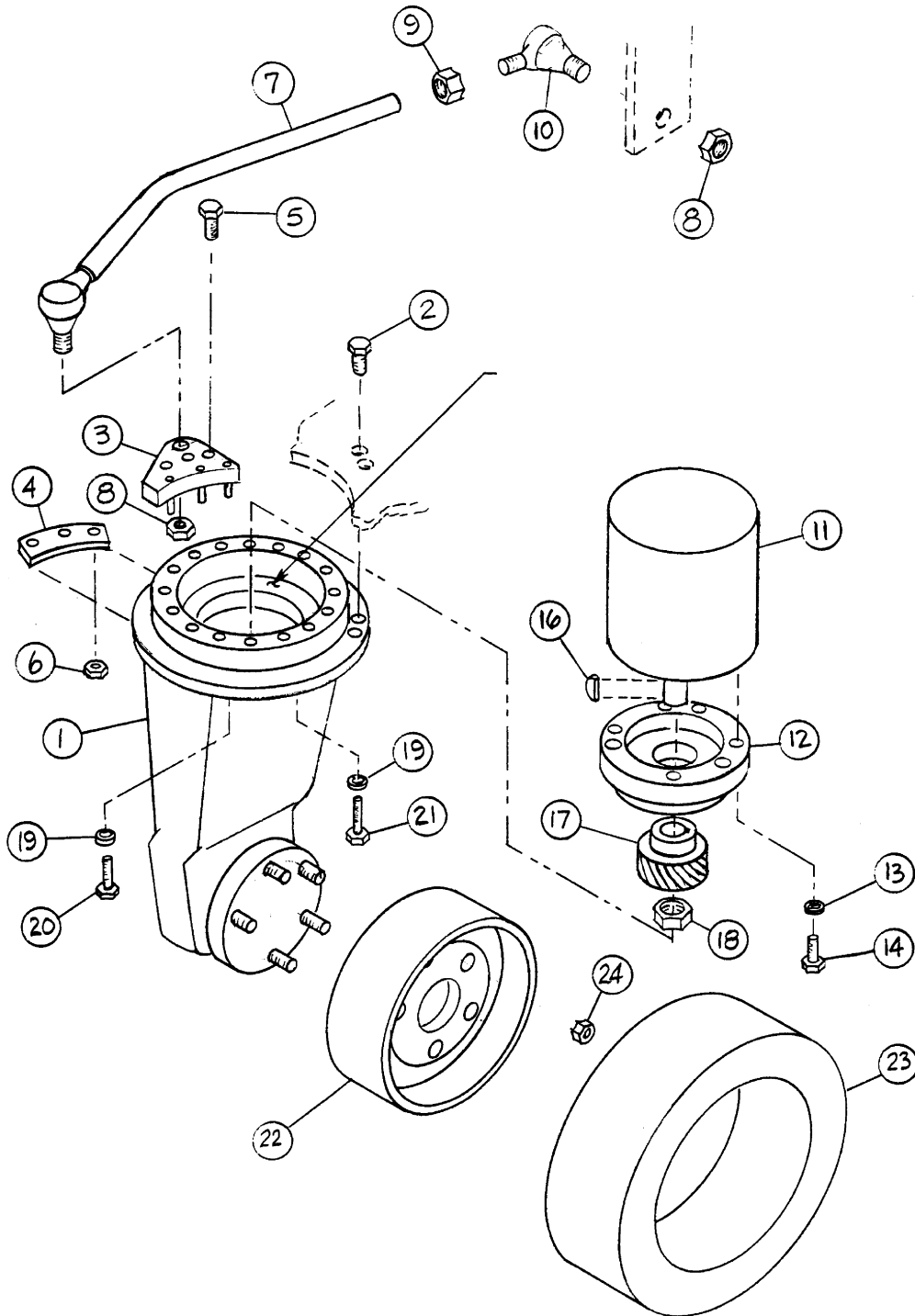
BRAKE GROUP



BRAKE GROUP

Ref. #	Part #	Description	Quantity
1	311096	ASSY - BRAKE ARM	1
2	400039	BOLT - 1/4-20 X 2.0 LG	2
3	400081	NUT - 1/4-20 ES	2
4	311321	CLEVIS - BRAKE ROD	4
5	400180	NUT - 1/4-28	4
6	311108	ROD - BRAKE	2
7	400010	BOLT - CARRIAGE 1/4-20 X .75 LG	2
8	400063	NUT - 1/4-20 FLANGE LOCK	2
9	307274	PAD - BRAKE SW/A PNTD	1
10	301521	SPRING	1
11	300413	PAD - PEDAL BRAKE	1
12	400118	PIN - CLEVIS 5/16 X 7/8	1
13	400088	WASHER - FLAT 5/16	2
14	400125	PIN - COTTER 3/8 RUE-RING	1
15	311102	BAR - BRAKE	2
16	303169	HAND BRAKE - PURCHASED	1
17	303551	SHIM - HAND BRAKE PLTD (.81 LG)	2
18	400311	BOLT - 5/16-18 X 1.75 LG	2
19	400080	NUT - 5/16-18 ES	2
20	307273	BAR - HAND BRAKE SPACER	1
21	311091	ASSY - AXLE	2
22	311011	ASSY - BRAKE	2
23	400047	BOLT - SOCKET HD 5/16-18 X .75 LG	12
24	400029	BOLT - 3/8-16 X 1.25 LG	8
25	400079	NUT - 3/8-16 NYLOK	8
26	311032	RING - RETAINING	2
27	400102	WASHER - LOCK 5/16	12

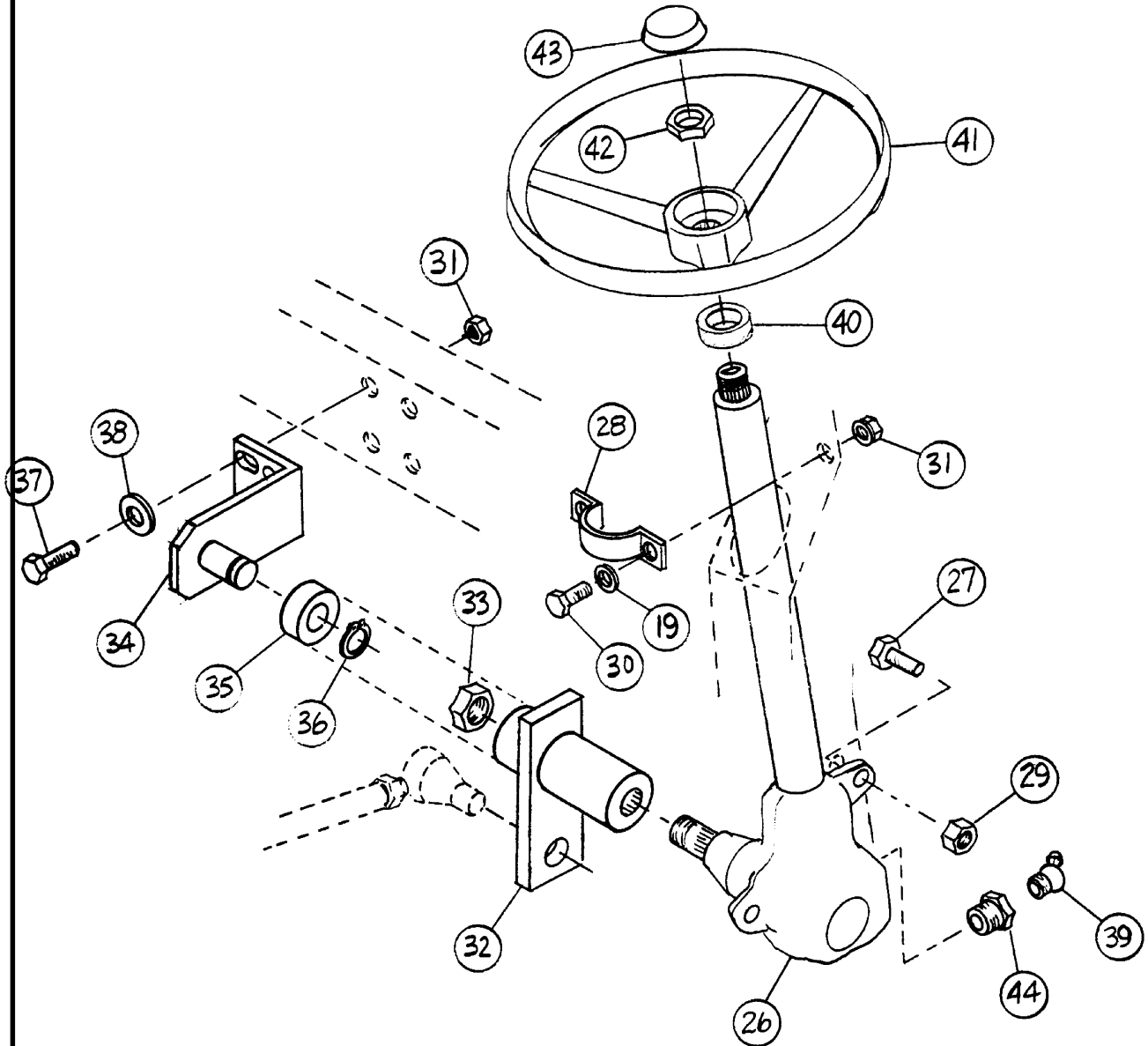
STEERING GROUP



STEERING GROUP

Ref. #	Part #	Description	Quantity
1	311001	TRANSMISSION - SW62	1
2	400463	BOLT - HEX 12 MM - 1.75 PITCH X 25 MM LG	6
3	311117	ASSY - ARM STEERING FORK	1
4	311119	PLATE - STEERING ARM RETAINER	1
5	400228	BOLT - 5/16-24 X 1.50 LG	3
6	400420	NUT - 5/16-24 NYLOK	3
7	311111	ASSY - STEERING ROD	1
8	400188	NUT - 1/2-20 ELASTIC JAM	2
9	400313	NUT - 11/16-18	1
10	300466	BALL JOINT - STEERING	1
11	311005	MOTOR - DRIVE 36 VOLT	1
12	311269	PLATE - ADAPTER DRIVE MOTOR	1
13	400101	WASHER - LOCK 38	4
14	400029	BOLT - 3/8-16 X 1.25 LG	4
15		SEALANT - SILICONE	AS REQUIRED
16	INC. W/ # 11	KEY - WOODRUFF #505	
17	INC. W/ #1	GEAR	
18	400317	NUT - 1/2-13 NYLOK JAM	1
19	400102	WASHER - LOCK 5/16	5
20	400471	BOLT - 5/16-18 X 3.25 LG	2
21	400466	BOLT - 5/16-18 X 2.5 LG	1
22	311095	RIM - REAR	1
23	311002	TIRE - SOLID PRESS-ON 12.12 ID	1
24	311562	NUT - WHEEL LUG 14 MM	5
25		OIL - GEAR 80W90 (APPROX. 3.25 QTS.)	
26	311196	STEERING GEAR - PURCHASED	1
27	400023	BOLT - 1/2-13 X 1.25 LG	3
28	300228	BRACKET	1
29	400078	NUT - 1/2-13 ES LOCK	3
30	400036	BOLT - 5/16-18 X .75 LG	2
31	400390	NUT - 5/16-18 FLANGE LOCK	6
32	311109	ASSY - STEERING TUBE	1
33	400464	NUT - 7/8-14 NYLOK JAM	1
34	311113	ASSY - STEERING BRG MOUNT	1
35	309618	BEARING - STEERING 205PP	1
36	309619	RING - RETAINING 5100-98	1
37	400035	BOLT - 5/16-18 X 1.0 LG	4
38	400384	WASHER - 5/16 CONICAL SPRING	4

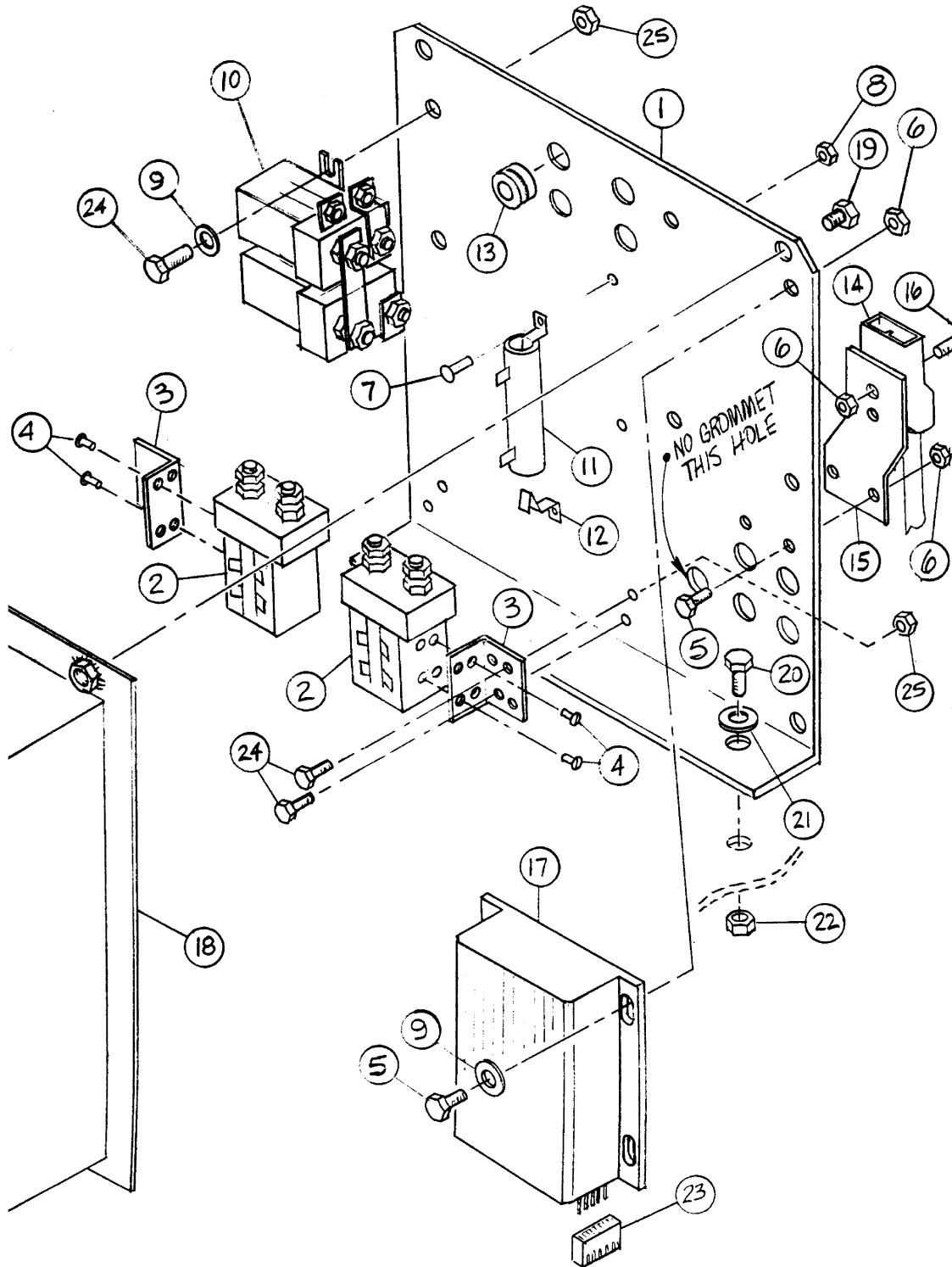
STEERING GROUP (CONT.)



STEERING GROUP (CONT.)

Ref. #	Part #	Description	Quantity
39	400205	FITTING - GREASE 65 DEGREE EL 1/4 MPT	1
40	INC. W/ #26	CUSHION	
41	303220	WHEEL - STEERING	1
42	INC. W/ #26	NUT	
43	303221	CAP - STEERING WHEEL	1
44	400236	FITTING - REDUCER 3/4 MPT - 1/4 FPT	1

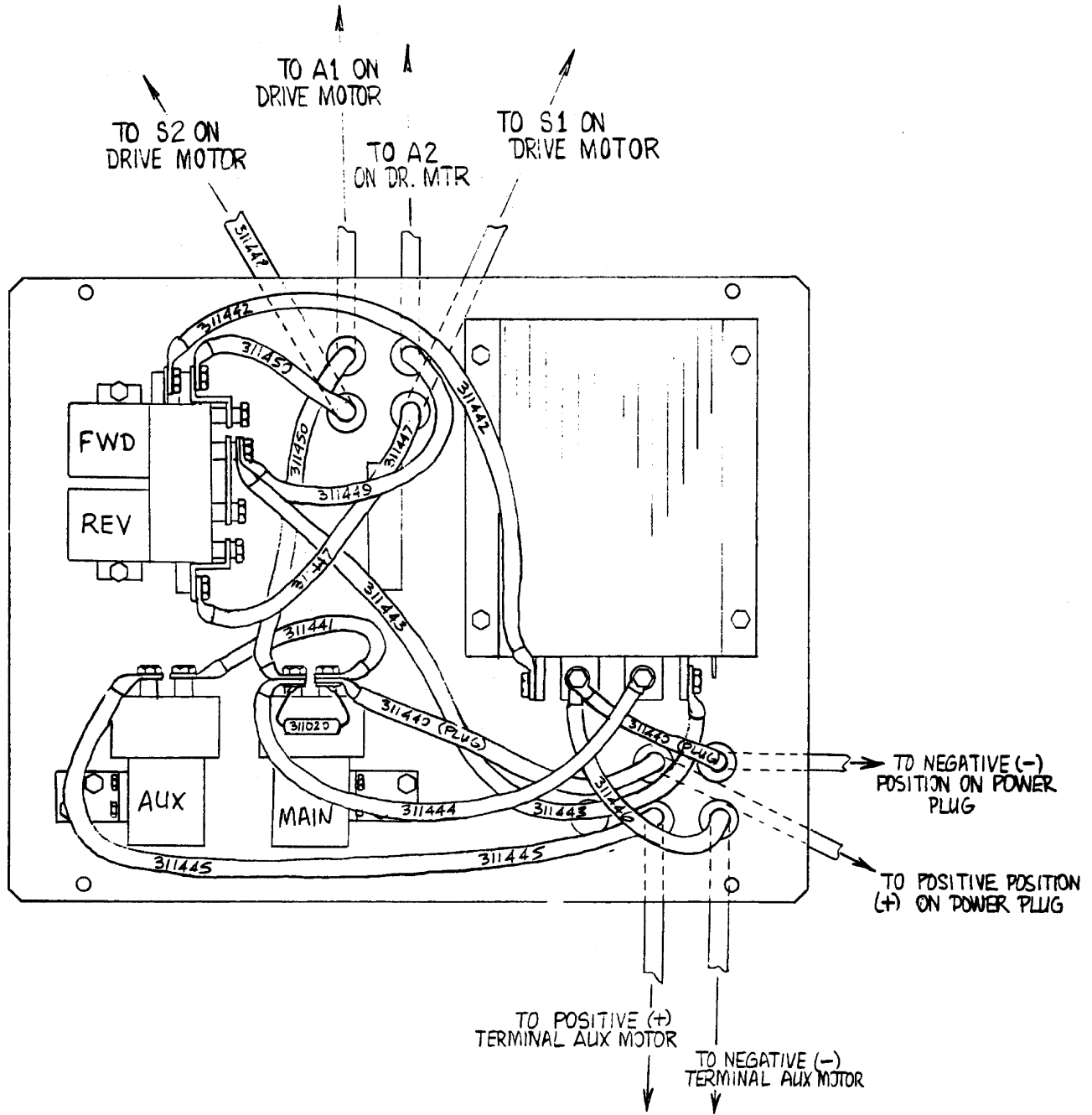
CONTROL BOX



CONTROL BOX

Ref. #	Part #	Description	Quantity
1	311311	PLATE - CONTACTOR PNTD	1
2	311018	CONTACTOR - ON/OFF	2
3	311420	ANGLE - CONTACTOR	2
4	400468	SCR - PAN HEAD 4 MM - .70 PITCH X 6 MM	4
5	400042	BOLT - 1/4-20 X .75	6
6	400081	NUT - 1/4-20 ES ZP	8
7	400045	SCREW - #8-32 X .62 LG	2
8	400082	NUT - #8-32 ES ZP	2
9	400383	WASHER - CONICAL SPRING 1/4	6
10	311019	CONTACTOR - FWD/REV	1
11	311567	RESISTOR	1
12	311568	BRACKET - RESISTOR MOUNT	2
13	311564	GROMMET - 1/2 ID RUBBER	8
14	311440	CABLE - BATTERY POWER	1
15	311421	MOUNT - ANDERSON CONNECTOR	1
16	400227	BOLT - 1/4-20 X 1.25 LG	2
17	311016	CONTROLLER - SPEED	1
18	311387	ASSY - CONTROL COVER	1
19	400322	BOLT - 1/4-20 X .5 LG	4
20	400029	BOLT - 3/8-16 X 1.25 LG	2
21	400385	WASHER - CONICAL SPRING 3/8	2
22	400079	NUT - 3/8-16 ES ZP	2
23	311563	CONNECTOR - CONTROLLER	1
24	400315	SCR - HHM #10-32 X .50 LG	6
25	400172	NUT - #10-32 ES	6

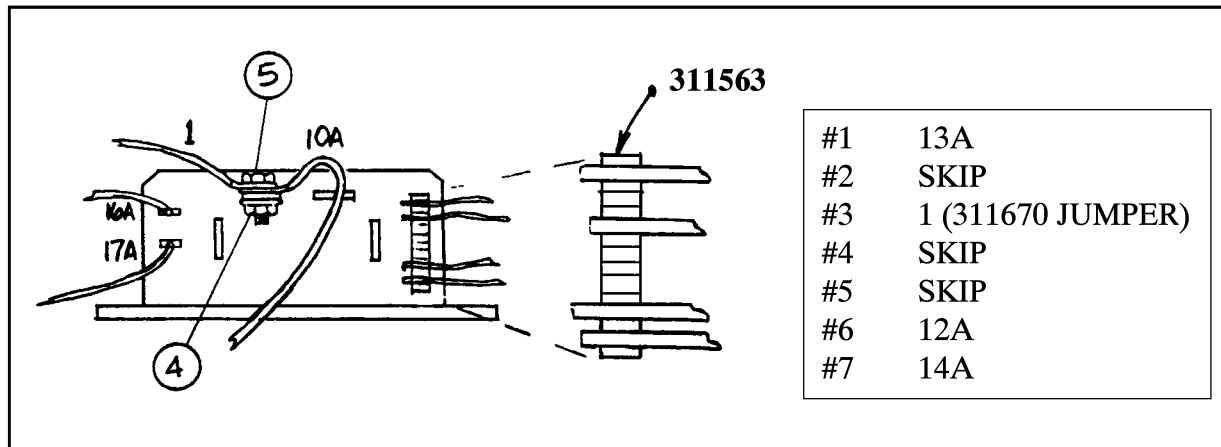
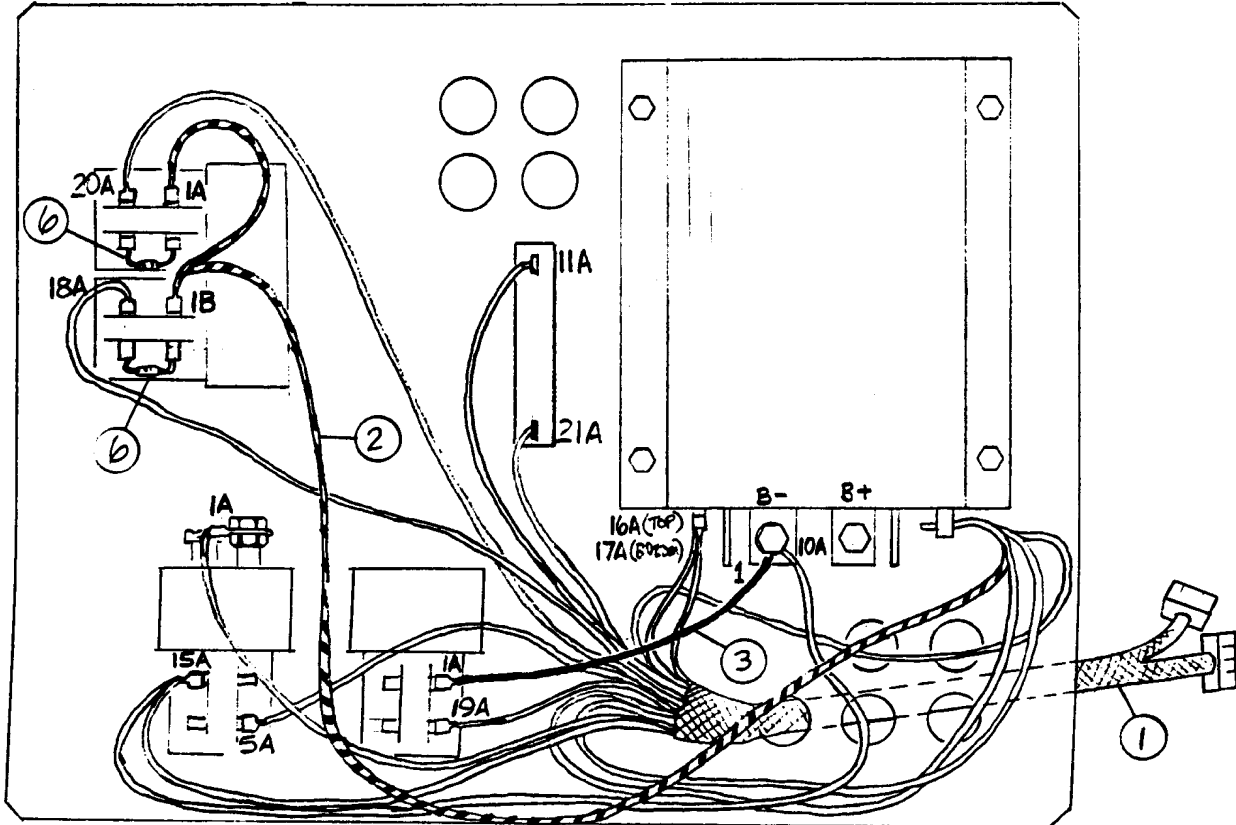
CONTROL BOX (CONT.)



CONTROL BOX (CONT.)

Ref. #	Part #	Description	Quantity
	311441	CABLE - FWD TO AUX JUMPER	1
	311440	CABLE - BATTERY POWER	1
	311442	CABLE - CONT "M" TO FWD SOLENOID	1
	311443	CABLE - CONT "A2" TO FWD SOLENOID	2
	311445	CABLE - AUX "+" TO AUX SOLENOID	1
	311446	CABLE - AUX MTR "-" TO CONT "B-"	1
	311447	CABLE - "S1" TO REV SOLENOID	1
	311448	CABLE - "S2" TO FWD SOLENOID	1
	311449	CABLE - "A2" TO FWD SOLENOID	1
	311450	CABLE - "A1" TO MAIN SOLENOID	1
	311020	RESISTOR	1

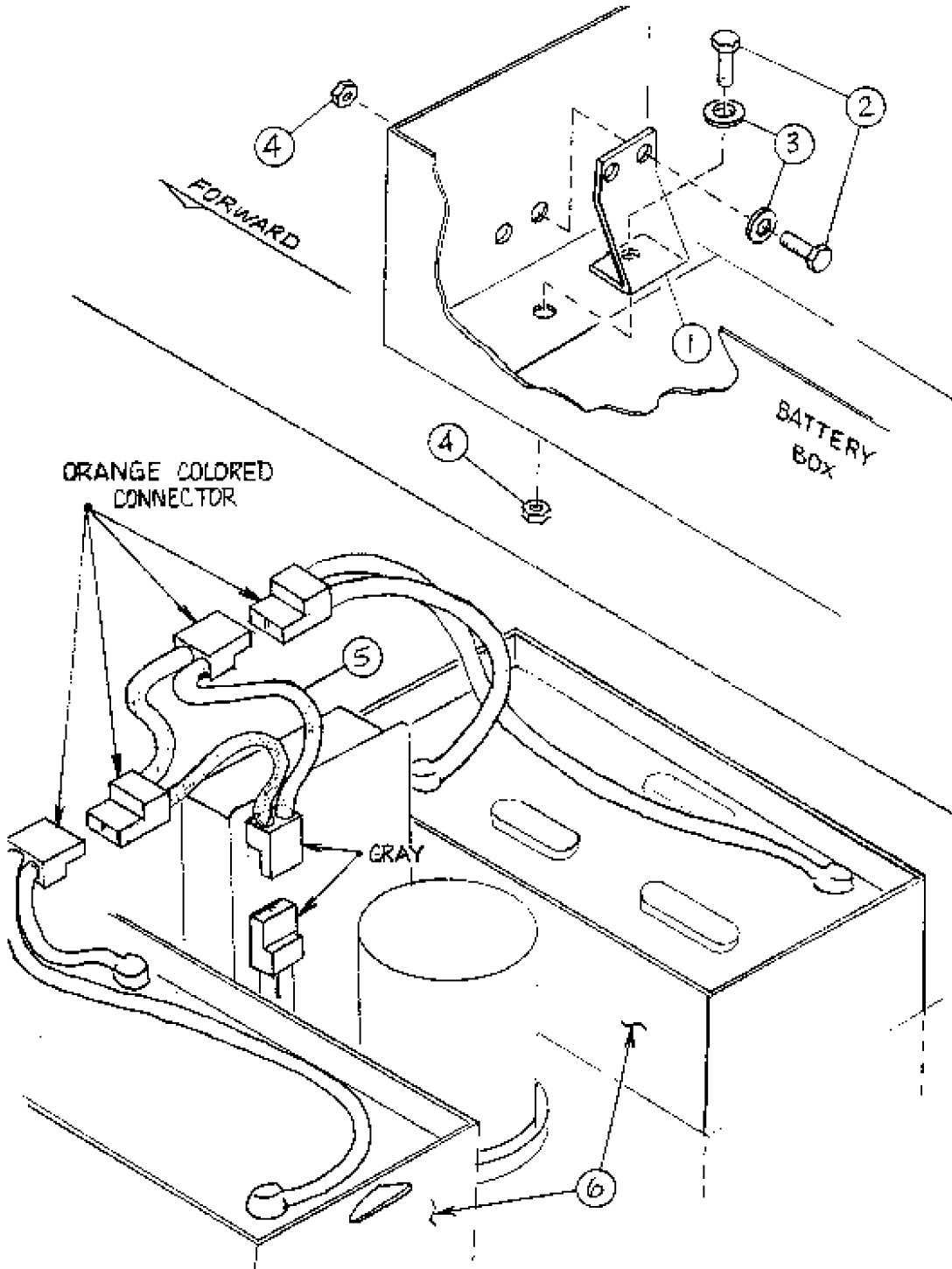
CONTROL BOX (CONT.)



CONTROL BOX (CONT.)

Ref. #	Part #	Description	Quantity
1	311667	HARNESS - WIRING CONTROL BOX	1
2	311670	HARNESS - WIRING JUMPER	1
3	311672	HARNESS - WIRING JUMPER - SOLENOID	1
4	400390	NUT - 5/16-18 FLANGE	4
5	400036	BOLT - 5/16-18 X .75 LG	4
6	311021	DIODE	2

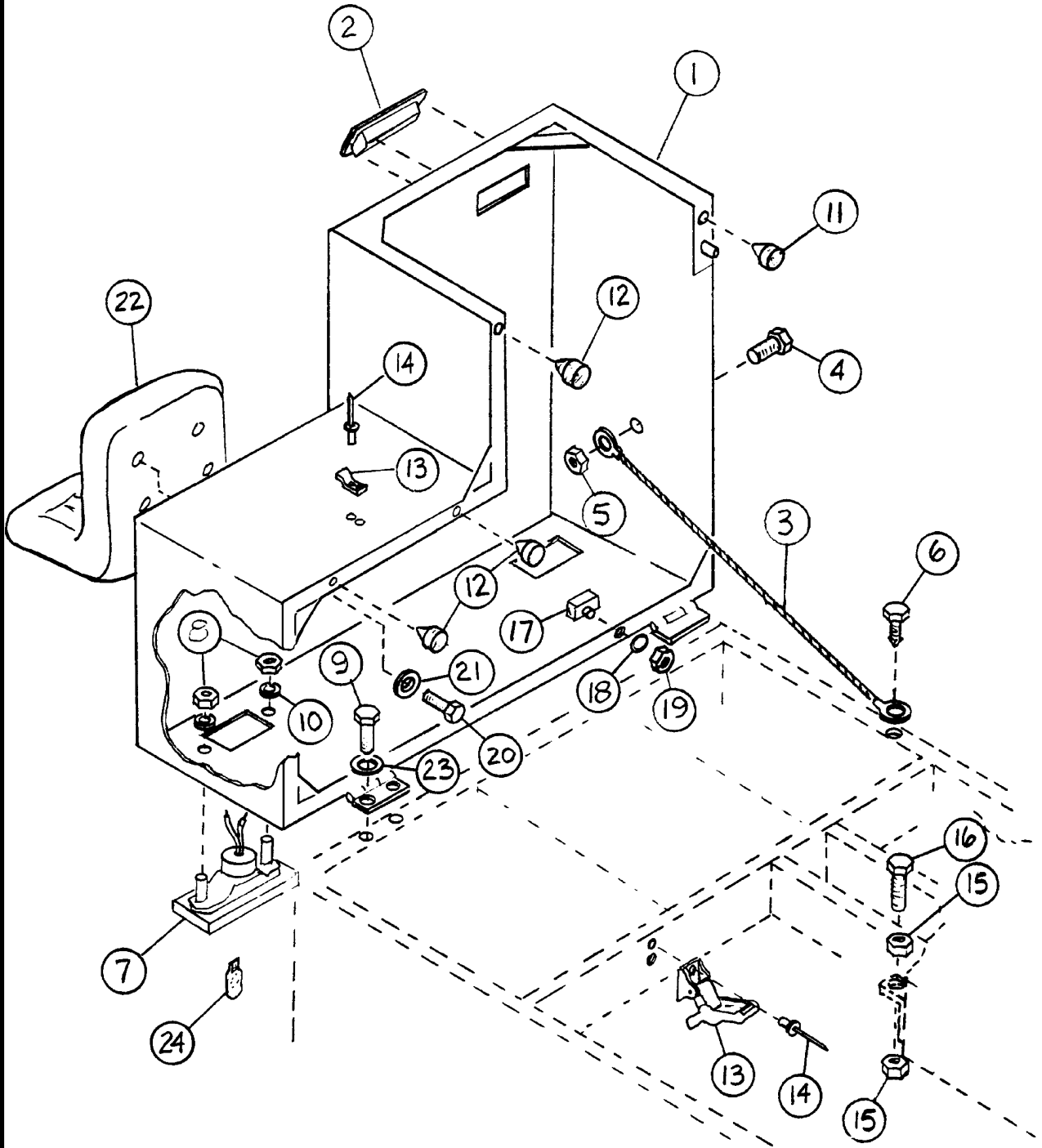
BATTERY GROUP



BATTERY GROUP

Ref. #	Part #	Description	Quantity
1	311381	SPACER - H.D. BATTERY	2
2	400036	BOLT - 5/16-18 X .75 LG ZP	6
3	400384	WASHER - 5/16 CONICAL SPRING	6
4	400390	NUT - 5/16-18 FLANGE LOCK	6
5	311561	HARNESS - WIRING 3-WAY	1
6	311007	BATTERY - 440 AMP HR	2

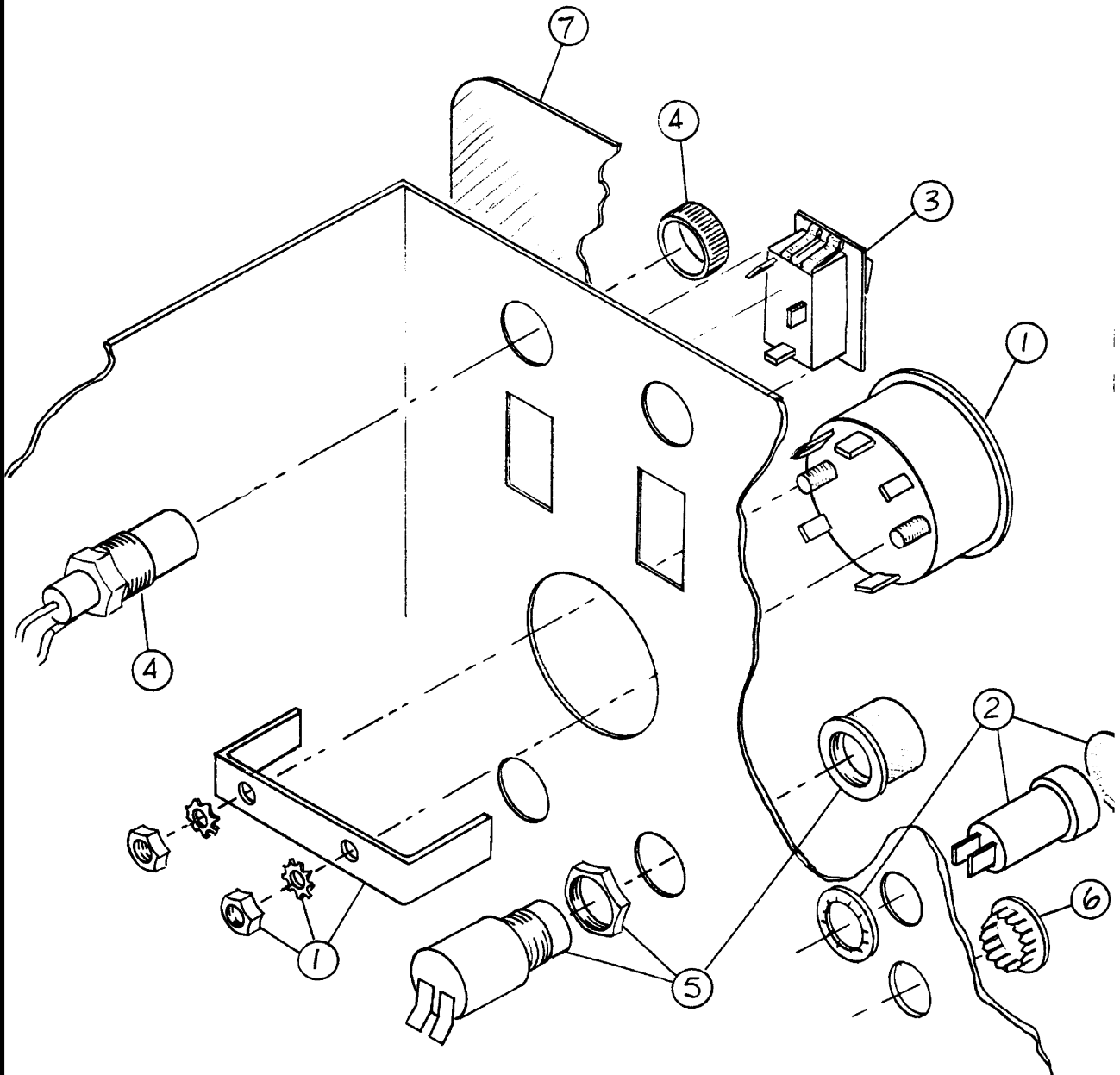
REAR COVER/ SEAT GROUP



REAR COVER/ SEAT GROUP

Ref. #	Part #	Description	Quantity
1	311250	ASSY - REAR CLIP	1
2	311371	PULL - REAR CLIP	1
3	304032	CABLE - REAR CLIP - SW75	2
4	400042	BOLT - 1/4-20 X .75 LG	2
5	400081	NUT - 1/4-20 ES ZP	2
6	311374	SCREW - 1/4 SELF TAPPING	2
7	311373	LIGHT - REAR TAIL SW/62	2
8	400072	NUT - #10-32	4
9	400040	BOLT - 1/4-20 X 1 LG	4
10	400104	WASHER - #10 LOCK	4
11	304037	BUMPER - RUBBER LONG	1
12	304038	BUMPER - RUBBER SHORT	3
13	307719	LATCH - SOFT	1
14	400441	RIVET - ALUM 1/8 X 1/4	7
15	400068	NUT - 3/8-16	2
16	400029	BOLT - 3/8-16 X 1.25 LG	1
17	311372	SWITCH - SAFETY REAR CLIP	1
18	400272	WASHER - INTERNAL STAR 3/8	1
19	311416	NUT - 3/8-32 JAM	1
20	400036	BOLT - 5/16-18 X .75 LG	4
21	400384	WASHER - 5/16 CONICAL SPRING	4
22	300487	SEAT - SUBURBAN (MICHIGAN V-550)	1
23	400383	WASHER - 1/4 CONICAL SPRING	4
24	311377	BULB - TAIL LIGHT SW/62	2
	311666	HARNES - WIRING JUMPER INST PANEL	1
	311669	HARNES - WIRING CLIP	1
	311671	HARNES - WIRING JUMPER INST PANEL LG	1
	311673	HARNES - WIRING JUMPER INST PANEL 4	1
	301358	TIE - WIRE	5
	302472	MOUNT - WIRE TIES	3
	302776	MOUNT - WIRE TIES	2

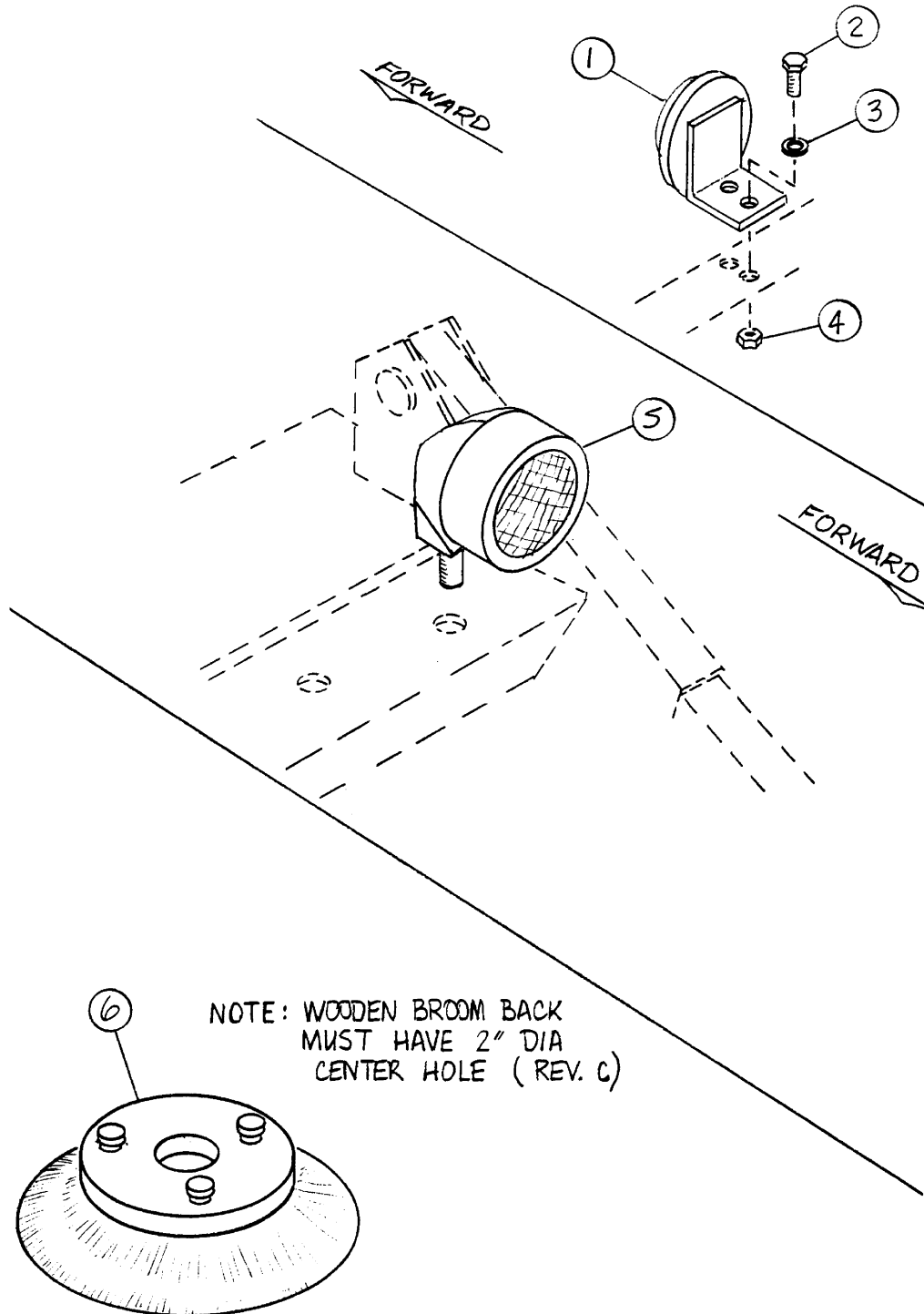
REAR COVER INSTRUMENT PANEL



REAR COVER INSTRUMENT PANEL

Ref. #	Part #	Description	Quantity
1	311323	GAUGE - BATTERY COND/ HR METER	1
2	304090	CIRCUIT BREAKER	5
3	307552	SWITCH - ROCKER	2
4	304039	LIGHT - INDICATOR	2
5	300441	SWITCH - MOMENTARY	2
6	302616	PLUG - 5/8	1
7	311434	DECAL - CLIP	1
	311376	BULB - RTR LIGHT 36V DC (NOT SHOWN)	2

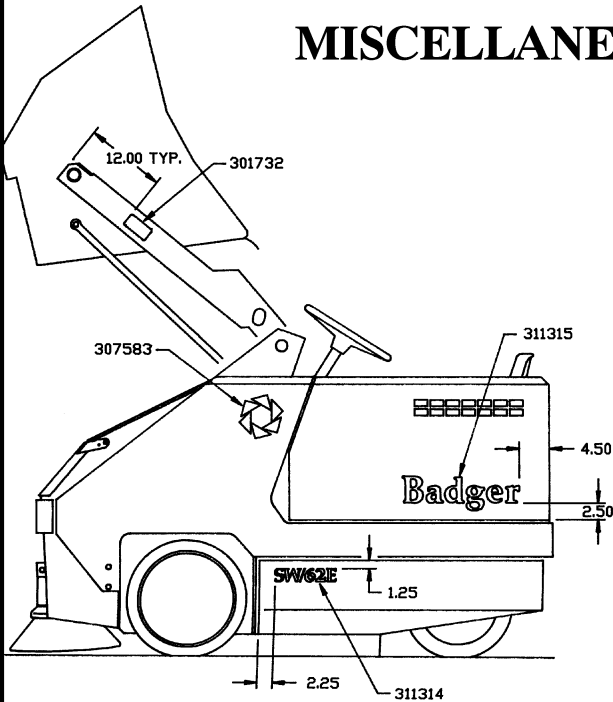
MISCELLANEOUS GROUP



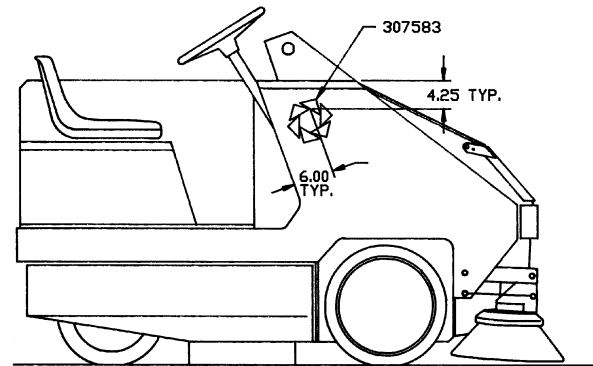
MISCELLANEOUS GROUP

Ref. #	Part #	Description	Quantity
1	305005	HORN - 36 VOLT	1
2	400036	BOLT - 5/16-18 X .75 LG ZP	2
3	400384	WASHER - 5/16 CONICAL SPRING	2
4	400390	NUT - 5/16-18 FLANGE	2
5	311681	HEADLIGHT - (HARDWARE SUPPLIED) 36V	2
6	306024	BROOM - SIDE SW70/SW62 POLY REV. C	1
	307585	DECAL - "AAR CORP"	1
	311315	DECAL - "BADGER"	1
	304339K	DECAL - "POWERBOSS"	1
	311314	DECAL - "SW/62E"	1
	307599	DECAL - IGNITION	1
	311435	DECAL - LINTEL TOP	1
	307583	DECAL - LOGO "AAR"	2
	301730	DECAL - WARNING FAN BELT	2
	301732	DECAL - WARNING HOPPER ARMS	2
	311668	HARNESS - WIRING LINTEL	1
	311565	INSULATOR - TERMINAL	6
	302776	MOUNT - WIRE TIES (LARGE)	4
	302472	MOUNT - WIRE TIES (LOW PROFILE)	4
	400441	RIVET - DRIVE 1/8 X 1/4	4
	4000-0089	RIVET - POP 3/16 X .602	4
	307610	SWITCH - IGNITION	1
	301358	TIE - WIRE	10

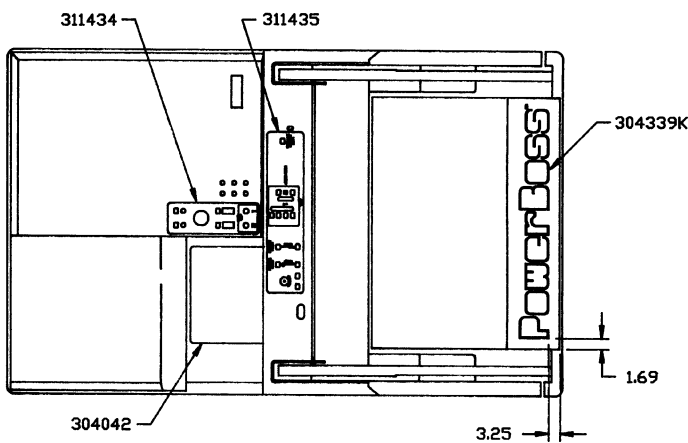
MISCELLANEOUS GROUP (CONT.)



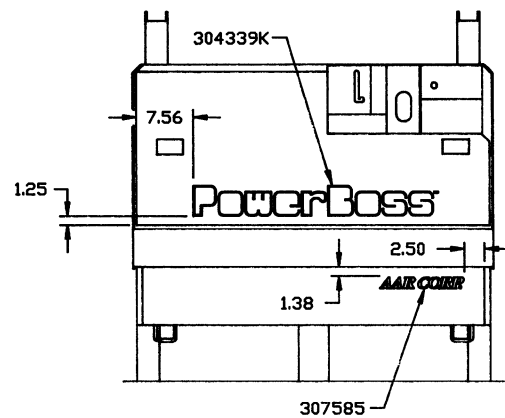
LEFT-HAND VIEW



RIGHT-HAND VIEW



TOP VIEW



REAR VIEW

MISCELLANEOUS GROUP (CONT.)

Ref. #	Part #	Description	Quantity
1	305005	HORN - 36 VOLT	1
2	400036	BOLT - 5/16-18 X .75 LG ZP	2
3	400384	WASHER - 5/16 CONICAL SPRING	2
4	400390	NUT - 5/16-18 FLANGE	2
5	311681	HEADLIGHT - (HARDWARE SUPPLIED) 36V	2
6	306024	BROOM - SIDE SW70/SW62 POLY REV. C	1
	307585	DECAL - "AAR CORP"	1
	311315	DECAL - "BADGER"	1
	304339K	DECAL - "POWERBOSS"	1
	311314	DECAL - "SW/62E"	1
	307599	DECAL - IGNITION	1
	311435	DECAL - LINTEL TOP	1
	307583	DECAL - LOGO "*"	2
	301730	DECAL - WARNING FAN BELT	2
	301732	DECAL - WARNING HOPPER ARMS	2
	311668	HARNES - WIRING LINTEL	1
	311565	INSULATOR - TERMINAL	6
	302776	MOUNT - WIRE TIES (LARGE)	4
	302472	MOUNT - WIRE TIES (LOW PROFILE)	4
	400441	RIVET - DRIVE 1/8 X 1/4	4
	4000-0089	RIVET - POP 3/16 X .602	4
	307610	SWITCH - IGNITION	1
	301358	TIE - WIRE	10

SW/62E		PARTS LIST		
By Description				
REF.	PART	IN		NUMBER
#	NUMBER	GROUP	DESCRIPTION	REQUIRED
3	311420	CONTROL BOX	ANGLE - CONTACTOR	2
2	311238	HOPPER	ANGLE - HOPPER FLAP RETAINER	1
8	311160	MAIN BROOM	ANGLE - MB BEARING MOUNT	1
17	311285	DIR. CONTROL	ARM - DIR CONTROL - CENTER	1
16	311283	DIR. CONTROL	ARM - DIR CONTROL - FORWARD	1
18	311284	DIR. CONTROL	ARM - DIR CONTROL - REVERSE	1
7	311149	M. BROOM DRIVE	ARM - TENSION MB	1
11	311391	FRAME	ASSY - ANGLE REAR FLAP MOUNT	1
3	311117	STEERING	ASSY - ARM STEERING FORK	1
21	311091	BRAKES	ASSY - AXLE	2
31	311270	GASKET MNT.	ASSY - BAFFLE ROD	1
31	311270	IMPELLER	ASSY - BAFFLE ROD	1
10	300229	LIFT ARM	ASSY - BLOCK CYL END PLTD	2
19	311178	AUX. DRIVE	ASSY - BRACKET BELT TENSION	1
22	311011	BRAKES	ASSY - BRAKE	2
1	311096	BRAKES	ASSY - BRAKE ARM	1
8	311275	BRM. DOORS	ASSY - BROOM DOOR LEFT	1
1	311278	BRM. DOORS	ASSY - BROOM DOOR RIGHT	1
3	311147	MAIN BROOM	ASSY - BROOM IDLER PLATE	1
24	311167	MAIN BROOM	ASSY - BROOM LIFT PIVOT	1
18	311387	CONTROL BOX	ASSY - CONTROL COVER	1
9	311125	FRAME	ASSY - FLAP RECIRCULATION LAMINATED	1
1	311040	FRAME	ASSY - FRAME SW/62	1
1	311305	FRT. BUMPER	ASSY - FRONT BUMPER	1
29	307182	GASKET MNT.	ASSY - GASKET MOUNT	1
29	307182	IMPELLER	ASSY - GASKET MOUNT	1
1	311240	HOPPER LID	ASSY - HOPPER HOOD SW62 PNTD	1
16	311234	HOPPER LID	ASSY - HOPPER LID SW62 PNTD	1
1	311220	HOPPER	ASSY - HOPPER PNTD SW62	1
18	311334	IMPELLER	ASSY - IMPELLER INLET PLATE	1
1	311257	IMPELLER	ASSY - IMPELLER MOUNT	1
2	300380	HOPPER LID	ASSY - LATCH	2
34	311164	MAIN BROOM	ASSY - LEVER BROOM LIFT	1
17	311200	LIFT ARM	ASSY - LIFT ARM CYLINDER MOUNT	1
39	311198	LIFT ARM	ASSY - LIFT ARM IDLER	1
27	311181	LIFT ARM	ASSY - LIFT ARMS	1

1	311154	MAIN BROOM	ASSY - MAIN BROOM PIVOT TUBE	1
19	311144	M. BROOM DRIVE	ASSY - MAIN BROOM SIDE SHIELD	1
1	311134	M. BROOM DRIVE	ASSY - MB DRIVE ARM	1
2	311161	MAIN BROOM	ASSY - MB TUBE BRG MNT	2
9	311754	FRT. BUMPER	ASSY - PLATE BUMPER RETAINER	2
2	311174	AUX. DRIVE	ASSY - PUMP MOUNT	1
1	311250	REAR COVER	ASSY - REAR CLIP	1
41	311212	LIFT ARM	ASSY - ROTATION PLATE LH	1
1	311206	LIFT ARM	ASSY - ROTATION PLATE RH	1
24	311216	LIFT ARM	ASSY - SECONDARY LIFT ARM	2
15	311336	SIDE BROOM	ASSY - SIDE BROOM ARM	1
7	311262	SIDE BROOM	ASSY - SIDE BROOM HUB	1
35	311271	S. BROOM LIFT	ASSY - SIDE BROOM LEVER	1
36	311427	S. BROOM LIFT	ASSY - SIDE BROOM LIFT LEVER	1
34	311113	STEERING	ASSY - STEERING BRG MOUNT	1
7	311111	STEERING	ASSY - STEERING ROD	1
32	311109	STEERING	ASSY - STEERING TUBE	1
34	301199	GASKET MNT.	BALL JOINT	1
34	301199	IMPELLER	BALL JOINT	1
10	301199	DIR. CONTROL	BALL JOINT - 1/4	5
27	311437	DIR. CONTROL	BALL JOINT - 1/4 TO 3/16	1
10	300466	STEERING	BALL JOINT - STEERING	1
19	300376	HOPPER	BALL STUD - GAS SPRING	1
6	300376	HOPPER LID	BALL STUD - GAS SPRING	1
15	311102	BRAKES	BAR - BRAKE	2
31	300202	S. BROOM LIFT	BAR - CABLE ADJ.	1
8	311456	HOPPER	BAR - FILTER RETAINER	1
20	307273	BRAKES	BAR - HAND BRAKE SPACER	1
5	311417	FRAME	BAR - RETAINER FRONT FLAP	1
8	311414	FRAME	BAR - SEAL RETAINER SIDE PNTD	2
1	311286	DIR. CONTROL	BASE - PEDAL	1
6	311007	H.D. BATTERY	BATTERY - 440 AMP HR	2
12	300552	LIFT ARM	BEARING - 1.0 ID X 1.50 LG	2
13	311023	M. BROOM DRIVE	BEARING - 203 PP	1
3	311023	IMPELLER	BEARING - 203PP	2
2	300469	FRT. WHEEL	BEARING - 205 PP	2
3	300469	M. BROOM DRIVE	BEARING - 205PP	2
17	300469	MAIN BROOM	BEARING - 205PP	1
21	311457	LIFT ARM	BEARING - FIBERGLIDE CJS-2428	4
16	311458	LIFT ARM	BEARING - FIBERGLIDE LTD-2442	4
33	311029	LIFT ARM	BEARING - SPERICAL	2

35	309618	STEERING	BEARING - STEERING 205PP	1
28	311324	M. BROOM DRIVE	BELT (3VX-510)	1
16	305641	AUX. DRIVE	BELT - AUX DRIVE (3VX-355)	2
4	305641	IMPELLER	BELT - IMPELLER	1
20	400023	SIDE BROOM	BOLT - 1/2-13 X 1.0 LG ZP	2
20	400022	MAIN BROOM	BOLT - 1/2-13 X 1.25 LG	1
27	400023	STEERING	BOLT - 1/2-13 X 1.25 LG	3
16	400020	SIDE BROOM	BOLT - 1/2-13 X 2.0 LG ZP	1
24	400019	AUX. DRIVE	BOLT - 1/2-13 X 2.5 LG	1
2	400405	FRAME	BOLT - 1/2-13 X 3.0 LG ZP	2
18	400405	SIDE BROOM	BOLT - 1/2-13 X 3.0 LG ZP	1
13	400042	IMPELLER	BOLT - 1/4 - 20 X .75 LG	4
12	400043	HYDRAULIC	BOLT - 1/4-20 X .5 LG	2
5	400043	FRT. WHEEL	BOLT - 1/4-20 X .50 LG ZP	3
22	400042	AUX. DRIVE	BOLT - 1/4-20 X .75	1
5	400042	CONTROL BOX	BOLT - 1/4-20 X .75	6
10	400474	SIDE BROOM	BOLT - 1/4-20 X .75 FLATHEAD	2
35	400042	DIR. CONTROL	BOLT - 1/4-20 X .75 LG	2
6	400042	MAIN BROOM	BOLT - 1/4-20 X .75 LG	4
27	400042	MAIN BROOM	BOLT - 1/4-20 X .75 LG	4
4	400042	REAR COVER	BOLT - 1/4-20 X .75 LG	2
23	400049	M. BROOM DRIVE	BOLT - 1/4-20 X .75 LG	3
9	400040	REAR COVER	BOLT - 1/4-20 X 1 LG	4
16	400227	CONTROL BOX	BOLT - 1/4-20 X 1.25 LG	2
8	400227	HYDRAULIC	BOLT - 1/4-20 X 1.25 LG	3
2	400039	BRAKES	BOLT - 1/4-20 X 2.0 LG	2
13	400032	BRM. DOORS	BOLT - 3/8-16 X .75 (FRONT BOLT ONLY)	2
14	400032	AUX. DRIVE	BOLT - 3/8-16 X .75 LG	2
20	400032	AUX. DRIVE	BOLT - 3/8-16 X .75 LG	1
6	400032	SIDE BROOM	BOLT - 3/8-16 X .75 LG ZP	4
4	400030	AUX. DRIVE	BOLT - 3/8-16 X 1	8
40	400030	DIR. CONTROL	BOLT - 3/8-16 X 1 LG	1
27	400030	AUX. DRIVE	BOLT - 3/8-16 X 1.0 LG	2
26	400030	IMPELLER	BOLT - 3/8-16 X 1.0 LG	2
5	400030	MAIN BROOM	BOLT - 3/8-16 X 1.0 LG	7
3	400030	LIFT ARM	BOLT - 3/8-16 X 1.0 LONG	4
24	400029	BRAKES	BOLT - 3/8-16 X 1.25 LG	8
20	400029	CONTROL BOX	BOLT - 3/8-16 X 1.25 LG	2
11	400029	M. BROOM DRIVE	BOLT - 3/8-16 X 1.25 LG	1
16	400029	REAR COVER	BOLT - 3/8-16 X 1.25 LG	1

14	400029	STEERING	BOLT - 3/8-16 X 1.25 LG	4
7	400029	BRM. DOORS	BOLT - 3/8-16 X 1.25 LP ZP	4
26	400028	M. BROOM DRIVE	BOLT - 3/8-16 X 1.5 LG	3
16	400031	M. BROOM DRIVE	BOLT - 3/8-16 X 2 LG	1
23	400434	DIR. CONTROL	BOLT - 3/8-16 X 2.5 LG	1
5	400035	BRM. DOORS	BOLT - 5/16 -18 X 1.0 LG ZP	5
15	400219	LIFT ARM	BOLT - 5/16-18 X .50 ZP	1
5	400036	CONTROL BOX(C)	BOLT - 5/16-18 X .75 LG	4
20	400036	REAR COVER	BOLT - 5/16-18 X .75 LG	4
30	400036	STEERING	BOLT - 5/16-18 X .75 LG	2
6	400036	FRT. BUMPER	BOLT - 5/16-18 X .75 LG ZP	4
2	400036	H.D. BATTERY	BOLT - 5/16-18 X .75 LG ZP	6
2	400036	MISCELLANEOUS	BOLT - 5/16-18 X .75 LG ZP	2
	400035	AUX. DRIVE	BOLT - 5/16-18 X 1.0	4
30	400035	MAIN BROOM	BOLT - 5/16-18 X 1.0 LG	2
37	400035	STEERING	BOLT - 5/16-18 X 1.0 LG	4
11	400035	HOPPER LID	BOLT - 5/16-18 X 1.0 LG ZP	4
42	400035	GASKET MNT.	BOLT - 5/16-18 X 1.0 LONG	2
42	400035	IMPELLER	BOLT - 5/16-18 X 1.0 LONG	2
6	400056	FRAME	BOLT - 5/16-18 X 1.0 TRUSS HEAD LG ZP	13
7	400033	FRT. BUMPER	BOLT - 5/16-18 X 1.5 LG ZP	4
18	400311	BRAKES	BOLT - 5/16-18 X 1.75 LG	2
21	400466	STEERING	BOLT - 5/16-18 X 2.5 LG	1
20	400471	STEERING	BOLT - 5/16-18 X 3.25 LG	2
16	400215	HOPPER	BOLT - 5/16-18 X 4.0 LONG	2
5	400228	STEERING	BOLT - 5/16-24 X 1.50 LG	3
7	400010	BRAKES	BOLT - CARRIAGE 1/4-20 X .75 LG	2
9	400009	HOPPER	BOLT - CARRIAGE 5/16-18 X 1.0 LG	2
2	400463	STEERING	BOLT - HEX 12 MM - 1.75 PITCH X 25 MM LG	6
38	400234	DIR. CONTROL	BOLT - PEDAL STOP 3/8-16 X 5 LG	1
9	400052	HOPPER LID	BOLT - SHOULD 5/16 DIA X .25 LG	2
9	311122	M. BROOM DRIVE	BOLT - SHOULDER 1/2 DIA X 3/4 LG	1
23	400047	BRAKES	BOLT - SOCKET HD 5/16-18 X .75 LG	12
15	400047	HOPPER LID	BOLT - SOCKET HEAD 5/16-18 X .75	2
19	400322	CONTROL BOX	BOLT - THM 1/4-20 X .5 LG	4
28	300228	STEERING	BRACKET	1
3	INC. W/ #2	HOPPER LID	BRACKET	
12	311568	CONTROL BOX	BRACKET - RESISTOR MOUNT	2
6	306024	MISCELLANEOUS	BROOM - SIDE SW70/SW62 POLY REV. C	1
	311376	R. C. INST. PANEL	BULB - RTR LIGHT 36V DC (NOT SHOWN)	2

24	311377	REAR COVER	BULB - TAIL LIGHT SW/62	2
2	302482	FRT. BUMPER	BUMPER - RUBBER	8
5	306203	HOPPER LID	BUMPER - RUBBER 3/8 X .75	2
11	304037	REAR COVER	BUMPER - RUBBER LONG	1
12	304038	REAR COVER	BUMPER - RUBBER SHORT	3
30	300414	GASKET MNT.	BUSHING	2
21	300431	DIR. CONTROL	BUSHING	1
32	300431	DIR. CONTROL	BUSHING	2
30	300553	IMPELLER	BUSHING	2
8	311159	M. BROOM DRIVE	BUSHING - BRONZE	1
4	311022	MAIN BROOM	BUSHING - MAIN BROOM	2
15	300414	DIR. CONTROL	BUSHING - NYLON	2
11	311322	AUX. DRIVE	BUSHING - TAPER LOCK 1008	1
	311450	CONTROL BOX	CABLE - "A1" TO MAIN SOLENOID	1
	311449	CONTROL BOX	CABLE - "A2" TO FWD SOLENOID	1
	311447	CONTROL BOX	CABLE - "S1" TO REV SOLENOID	1
	311448	CONTROL BOX	CABLE - "S2" TO FWD SOLENOID	1
	311445	CONTROL BOX	CABLE - AUX "+" TO AUX SOLENOID	1
	311446	CONTROL BOX	CABLE - AUX MTR "-" TO CONT "B."	1
14	311440	CONTROL BOX	CABLE - BATTERY POWER	1
	311440	CONTROL BOX	CABLE - BATTERY POWER	1
	311443	CONTROL BOX	CABLE - CONT "A2" TO FWD SOLENOID	2
	311442	CONTROL BOX	CABLE - CONT "M" TO FWD SOLENOID	1
	311441	CONTROL BOX	CABLE - FWD TO AUX JUMPER	1
3	304032	REAR COVER	CABLE - REAR CLIP - SW75	2
24	311342	SIDE BROOM	CABLE - SIDE BROOM LIFT	1
19	311268	SIDE BROOM	CABLE - SIDE BROOM RETAINER	1
43	303221	STEERING	CAP - STEERING WHEEL	1
15	307658	FRAME	CHAIN - GROUNDING	1
2	304090	R. C. INST. PANEL	CIRCUIT BREAKER	5
19	300351	IMPELLER	CLAMP - IMPELLER HOSE	2
22	307642	MAIN BROOM	CLEVIS - 5/16-24	2
4	311321	BRAKES	CLEVIS - BRAKE ROD	4
4	301146	HOPPER	CLIPNUT - 1/4-20	8
6	301155	HOPPER	CLIPNUT - 5/16-18	2
23	311563	CONTROL BOX	CONNECTOR - CONTROLLER	1
10	311019	CONTROL BOX	CONTACTOR - FWD/REV	1
2	311018	CONTROL BOX	CONTACTOR - ON/OFF	2
17	311016	CONTROL BOX	CONTROLLER - SPEED	1
23	311331	HOPPER	COVER - HOPPER HARNESS	1

4	311124	FRT. WHEEL	COVER - WHEEL	1
40	INC. W/ #26	STEERING	CUSHION	
36	307243	LIFT ARM	CYLINDER - LIFT	1
8	307323	LIFT ARM	CYLINDER - ROTATION	1
	307585	MISCELLANEOUS	DECAL - "AAR CORP"	1
	311315	MISCELLANEOUS	DECAL - "BADGER"	1
	304339K	MISCELLANEOUS	DECAL - "POWERBOSS"	1
	311314	MISCELLANEOUS	DECAL - "SW/62E"	1
7	311434	R. C. INST. PANEL	DECAL - CLIP	1
	307599	MISCELLANEOUS	DECAL - IGNITION	1
	311435	MISCELLANEOUS	DECAL - LINTEL TOP	1
	307583	MISCELLANEOUS	DECAL - LOGO "*"	2
	301730	MISCELLANEOUS	DECAL - WARNING FAN BELT	2
	301732	MISCELLANEOUS	DECAL - WARNING HOPPER ARMS	2
6	311021	CONTROL BOX(C)	DIODE	2
21	301050	M. BROOM DRIVE	DRIVE HUB	1
7	311325	HOPPER	FILTER - DUST CONTROL	1
11	304174	HYDRAULIC	FILTER - HYDRAULIC	1
39	400205	STEERING	FITTING - GREASE 65 DEGREE EL 1/4 MPT	1
28	400245	HYDRAULIC	FITTING - HYD #4 90 DEGREE ADAPTER	2
30	400152	HYDRAULIC	FITTING - HYD 1/2-20 TO #5 90 DEGREE	3
27	400150	HYDRAULIC	FITTING - HYD 3/4-16 TO #4 STR	4
31	311676	HYDRAULIC	FITTING - HYD 7/8-14 TO #4 STR JIC	2
29	400470	HYDRAULIC	FITTING - HYD 9/16-18 TO #4 90 DEGREE	2
26	400264	HYDRAULIC	FITTING - HYD 9/16-18 TO #4 STR	4
33	400167	HYDRAULIC	FITTING - HYD AD 1-1/16 - 12 EXT TO 3/4-16 INT	2
32	306819	HYDRAULIC	FITTING - HYD RUN TEE SWIVEL #4 JIC	1
4	311676	SIDE BROOM	FITTING - HYD STR 7/8-14 TO #4	2
35	400162	HYDRAULIC	FITTING - HYD TEE OFFSET 1/2-20 TO #5	1
44	400236	STEERING	FITTING - REDUCER 3/4 MPT - 1/4 FPT	1
9	311429	BRM. DOORS	FLAP - BROOM DOOR LEFT	1
2	311432	BRM. DOORS	FLAP - BROOM DOOR RIGHT	1
5	311237	HOPPER	FLAP - HOPPER LIP	4
12	311130	FRAME	FLAP - REAR BROOM CHAMBER	1
22	305006	HOPPER	GAS SPRING	1
20	311454	HOPPER LID	GASKET - DUMP DOOR LONG	2
21	311455	HOPPER LID	GASKET - DUMP DOOR SHORT	2
18	311453	HOPPER LID	GASKET - FILTER COVER BACK	1
19	311451	HOPPER LID	GASKET - FILTER COVER FRONT	1
17	311452	HOPPER LID	GASKET - FILTER COVER SIDE	2

10	304183	IMPELLER	GASKET - IMPELLER	2
41	307005	GASKET MNT.	GASKET - IMPELLER	1
41	307005	IMPELLER	GASKET - IMPELLER	1
1	311323	R. C. INST. PANEL	GAUGE - BATTERY COND/ HR METER	1
17	INC. W/ #1	STEERING	GEAR	
26	301665	HOPPER	GROMMET	2
13	311564	CONTROL BOX	GROMMET - 1/2 ID RUBBER	8
7	301665	LIFT ARM	GROMMET - Z2056	2
46	311246	IMPELLER	GUARD - BELT	1
16	303169	BRAKES	HAND BRAKE - PURCHASED	1
37	300558	MAIN BROOM	HANDLE	1
27	307752	HOPPER	HARNESS - FILTER SHAKER	1
5	311561	H.D. BATTERY	HARNESS - WIRING 3-WAY	1
	311669	REAR COVER	HARNESS - WIRING CLIP	1
1	311667	CONTROL BOX(C)	HARNESS - WIRING CONTROL BOX	1
2	311670	CONTROL BOX(C)	HARNESS - WIRING JUMPER	1
3	311672	CONTROL BOX(C)	HARNESS - WIRING JUMPER - SOLENOID	1
	311666	REAR COVER	HARNESS - WIRING JUMPER INST PANEL	1
	311673	REAR COVER	HARNESS - WIRING JUMPER INST PANEL 4	1
	311671	REAR COVER	HARNESS - WIRING JUMPER INST PANEL LG	1
	311668	MISCELLANEOUS	HARNESS - WIRING LINTEL	1
5	311681	MISCELLANEOUS	HEADLIGHT - (HARDWARE SUPPLIED) 36V	2
22	311245	HOPPER LID	HINGE - FILTER COVER	2
1	305005	MISCELLANEOUS	HORN - 36 VOLT	1
19	311634	HYDRAULIC	HOSE - CONT VALVE TO FILTER IN	1
17	311632	HYDRAULIC	HOSE - CONT VALVE TO FRONT ROT. CYL	1
15	311630	HYDRAULIC	HOSE - CONT VALVE TO LIFT CYL	1
16	311631	HYDRAULIC	HOSE - CONT VALVE TO REAR ROT. CYL	1
21	311464	HYDRAULIC	HOSE - CONT VALVE TO SB MOTOR (RT)	1
20	311635	HYDRAULIC	HOSE - FILTER OUT TO PUMP	1
20	311664	IMPELLER	HOSE - IMPELLER	1
22	311363	HYDRAULIC	HOSE - LIFT CYL TOP TO FILTER IN	1
18	311633	HYDRAULIC	HOSE - PUMP OUT TO CONT VALVE	1
13	300624	HYDRAULIC	HOSE - SB MOTOR(LT) TO LIFT CYL TOP	1
15	301051	MAIN BROOM	HUB - BROOM IDLER	1
16	304002	IMPELLER	IMPELLER	1
18	307850	HOPPER	ISOLATOR - HOPPER FILTER	2
3	INC. W/#2	SIDE BROOM	KEY	
20	301718	M. BROOM DRIVE	KEY - 1/4 SQ X .88 LG	1
18	400460	AUX. DRIVE	KEY - 1/8 X 1.25 LG	1

8	300344	IMPELLER	KEY - SQUARE .125 X .75 LG	1
7	400465	IMPELLER	KEY - WOODRUFF #404	1
9	INC. W/ # 1	AUX. DRIVE	KEY - WOODRUFF #404	1
16	INC. W/ # 11	STEERING	KEY - WOODRUFF #505	
34	300558	S. BROOM LIFT	KNOB	1
5	300562	HYDRAULIC	KNOB	2
37	300563	GASKET MNT.	KNOB - AIR SHUTOFF	1
37	300563	IMPELLER	KNOB - AIR SHUTOFF	1
33	311370	MAIN BROOM	KNOB - MB ADJUSTMENT	1
32	311344	MAIN BROOM	KNOB - MB ADJUSTMENT LOCK	1
13	307719	REAR COVER	LATCH - SOFT	1
3	311312	HYDRAULIC	LEVER - HOPPER RAISE	1
4	311299	HYDRAULIC	LEVER - ROTATION	1
4	304039	R. C. INST. PANEL	LIGHT - INDICATOR	2
7	311373	REAR COVER	LIGHT - REAR TAIL SW/62	2
2	INC. W/ #1	HYDRAULIC	LINK	
32	311343	S. BROOM LIFT	LINK - SIDE BROOM LIFT	2
20	400102	HOPPER	LOCKWASHER - 5/16	1
6	400469	DIR. CONTROL	LOCKWASHER - SPLIT	2
16	304042	FRAME	MAT - FLOOR	1
11	311005	STEERING	MOTOR - DRIVE 36 VOLT	1
12	311004	AUX. DRIVE	MOTOR - ELECTRIC AUX	1
2	311038	SIDE BROOM	MOTOR - HYD SIDE BROOM A-SERIES	1
13	305001	HOPPER	MOTOR - SHAKER FILTER 36 VOLTS	1
15	311421	CONTROL BOX	MOUNT - ANDERSON CONNECTOR	1
21	311260	IMPELLER	MOUNT - IMPELLER ARM PIVOT	1
12	300904	HOPPER	MOUNT - NEOPRENE SHAKER MOTOR	1
1	311266	SIDE BROOM	MOUNT - SIDE BROOM MOTOR	1
	302472	REAR COVER	MOUNT - WIRE TIE	3
	302776	HOPPER	MOUNT - WIRE TIE	3
	302776	REAR COVER	MOUNT - WIRE TIE	2
	302776	MISCELLANEOUS	MOUNT - WIRE TIES (LARGE)	4
	302472	MISCELLANEOUS	MOUNT - WIRE TIES (LOW PROFILE)	4
42	INC. W/ #26	STEERING	NUT	
8	400072	REAR COVER	NUT - #10-32	4
25	400172	CONTROL BOX	NUT - #10-32 ES ZP	6
7	400299	DIR. CONTROL	NUT - #6-32	2
8	400082	CONTROL BOX	NUT - #8-32 ES ZP	2
26	400065	AUX. DRIVE	NUT - 1/2-13	1
29	400078	STEERING	NUT - 1/2-13 ES LOCK	3
17	400317	SIDE BROOM	NUT - 1/2-13 JAM ES ZP	4

18	400317	STEERING	NUT - 1/2-13 NYLOK JAM	1
8	400188	STEERING	NUT - 1/2-20 ELASTIC JAM	2
17	400317	IMPELLER	NUT - 1/2-20 NYLOK JAM	1
28	400071	S. BROOM LIFT	NUT - 1/4-20	6
3	400081	BRAKES	NUT - 1/4-20 ES	2
6	400081	CONTROL BOX	NUT - 1/4-20 ES ZP	8
5	400081	REAR COVER	NUT - 1/4-20 ES ZP	2
9	400081	SIDE BROOM	NUT - 1/4-20 ES ZP	2
25	400063	HOPPER	NUT - 1/4-20 FLANGE	2
29	400063	S. BROOM LIFT	NUT - 1/4-20 FLANGE	2
8	400063	BRAKES	NUT - 1/4-20 FLANGE LOCK	2
14	400063	IMPELLER	NUT - 1/4-20 FLANGE LOCK	4
15	400081	IMPELLER	NUT - 1/4-20 NYLON LOCK	12
5	400180	BRAKES	NUT - 1/4-28	4
9	400180	DIR. CONTROL	NUT - 1/4-28 UNF	6
9	400313	STEERING	NUT - 11/16-18	1
6	400392	AUX. DRIVE	NUT - 3/8 FLANGE LOCK	2
39	400068	DIR. CONTROL	NUT - 3/8-16	2
24	400068	M. BROOM DRIVE	NUT - 3/8-16	4
15	400068	REAR COVER	NUT - 3/8-16	2
22	400079	CONTROL BOX	NUT - 3/8-16 ES ZP	2
5	400392	LIFT ARM	NUT - 3/8-16 FLANGE LOCK	6
25	400079	BRAKES	NUT - 3/8-16 NYLOK	8
19	311416	REAR COVER	NUT - 3/8-32 JAM	1
21	400070	HOPPER	NUT - 5/16-18	1
8	400070	HOPPER LID	NUT - 5/16-18	1
31	400070	M. BROOM DRIVE	NUT - 5/16-18	1
28	400080	IMPELLER	NUT - 5/16-18	3
19	400080	BRAKES	NUT - 5/16-18 ES	2
32	400080	M. BROOM DRIVE	NUT - 5/16-18 ES	1
4	400080	BRM. DOORS	NUT - 5/16-18 ES ZP	5
12	400080	BRM. DOORS	NUT - 5/16-18 ES ZP	4
	400390	AUX. DRIVE	NUT - 5/16-18 FLANGE	4
4	400390	CONTROL BOX(C)	NUT - 5/16-18 FLANGE	4
36	400390	MAIN BROOM	NUT - 5/16-18 FLANGE	2
4	400390	MISCELLANEOUS	NUT - 5/16-18 FLANGE	2
4	400390	H.D. BATTERY	NUT - 5/16-18 FLANGE LOCK	6
13	400390	HOPPER LID	NUT - 5/16-18 FLANGE LOCK	6
31	400390	STEERING	NUT - 5/16-18 FLANGE LOCK	6
3	400080	FRT. BUMPER	NUT - 5/16-18 NYLOK	8

13	400069	MAIN BROOM	NUT - 5/16-24	2
30	400069	S. BROOM LIFT	NUT - 5/16-24	1
6	400420	STEERING	NUT - 5/16-24 NYLOK	3
33	400464	STEERING	NUT - 7/8-14 NYLOK JAM	1
33	400172	DIR. CONTROL	NUT - ELASTIC STOP #10-32	5
28	400373	DIR. CONTROL	NUT - ES 1/4-28 UNF	5
25	400079	DIR. CONTROL	NUT - ES 3/8-16	1
37	400063	DIR. CONTROL	NUT - FLANGE 1/4-20	2
10	400063	HYDRAULIC	NUT - FLANGE 1/4-20	3
42	400392	DIR. CONTROL	NUT - FLANGE 3/8-16	1
7	400392	MAIN BROOM	NUT - FLANGE 3/8-16	7
10	400063	HOPPER LID	NUT - FLANGE LOCK 1/4-20	2
11	400390	HOPPER	NUT - FLANGE LOCK 5/16-18	2
3	400065	FRAME	NUT - HEX 1/2-13	2
35	400180	GASKET MNT.	NUT - HEX 1/4-28 ZP	2
35	400180	IMPELLER	NUT - HEX 1/4-28 ZP	2
13	400080	FRAME	NUT - HEX 5/16-18 ES ZP	12
9	400081	MAIN BROOM	NUT - NYLOK 1/4-20	4
24	311562	STEERING	NUT - WHEEL LUG 14 MM	5
25		STEERING	OIL - GEAR 80W90 (APPROX. 3.25 QTS.)	
9	307274	BRAKES	PAD - BRAKE SW/A PNTD	1
3	300544	DIR. CONTROL	PAD - FOOT PEDAL	1
11	300413	BRAKES	PAD - PEDAL BRAKE	1
2	311292	DIR. CONTROL	PEDAL - DIR CONTROL	1
6	INC. W/ #1	HYDRAULIC	PIN - CLEVIS	
31	400472	LIFT ARM	PIN - CLEVIS 1.0 X 3.0 ZP	1
22	307794	IMPELLER	PIN - CLEVIS 1/2" DIA X 4.5 LG	1
22	400439	LIFT ARM	PIN - CLEVIS 3/4 X 2.00	2
12	400114	DIR. CONTROL	PIN - CLEVIS 3/8-4.00 LG	1
14	400184	MAIN BROOM	PIN - CLEVIS 5/16 X 1.12 LG	2
33	400185	S. BROOM LIFT	PIN - CLEVIS 5/16 X 1.25	2
12	400118	BRAKES	PIN - CLEVIS 5/16 X 7/8	1
21	400118	SIDE BROOM	PIN - CLEVIS 5/16 X 7/8	2
29	400462	LIFT ARM	PIN - CLEVIS 5/8 X 1.5	1
7	INC. W/ #1	HYDRAULIC	PIN - COTTER	
30	400124	LIFT ARM	PIN - COTTER 5/8 RUE-RING	1
14	400125	BRAKES	PIN - COTTER 3/8 RUE-RING	1
23	400125	SIDE BROOM	PIN - COTTER 3/8 RUE-RING	4
26	400120	LIFT ARM	PIN - COTTER 5/32 X 2.0 ZP	5
18	307607	LIFT ARM	PIN - CYL RETAINING	1

37	307408	LIFT ARM	PIN - CYLINDER MOUNT	1
7	400458	AUX. DRIVE	PIN - ROLL 3/16 X 1.25	2
6	400461	M. BROOM DRIVE	PIN - ROLL 7/32 X 1.50 LG	1
13	311213	LIFT ARM	PIN - ROTATION PLATE CYLINDER ZP	1
32	311197	LIFT ARM	PIN - UPPER LIFT ARM ZP	2
12	311269	STEERING	PLATE - ADAPTER DRIVE MOTOR	1
32	301498	GASKET MNT.	PLATE - BAFFLE	1
32	304103	IMPELLER	PLATE - BAFFLE	1
8	311310	AUX. DRIVE	PLATE - BELT RETAINER	1
1	311311	CONTROL BOX	PLATE - CONTACTOR PNTD	1
2	311244	LIFT ARM	PLATE - HOPPER DOUBLER	2
11	311261	IMPELLER	PLATE - IMPELLER HOUSING COVER	1
13	311320	AUX. DRIVE	PLATE - MOTOR MOUNT	1
22	301285	M. BROOM DRIVE	PLATE - RETAINER DRIVE HUB	1
4	311119	STEERING	PLATE - STEERING ARM RETAINER	1
6	302616	R. C. INST. PANEL	PLUG - 5/8	1
30	311017	DIR. CONTROL	POTENTIOMETER BOX	1
29	311385	DIR. CONTROL	POTENTIOMETER MNT PLATE	1
2	311371	REAR COVER	PULL - REAR CLIP	1
25	300368	S. BROOM LIFT	PULLEY	3
10	311028	M. BROOM DRIVE	PULLEY - IDLER MB	1
6	311129	IMPELLER	PULLEY - IMPELLER DRIVE	1
5	311037	M. BROOM DRIVE	PULLEY - MB DRIVE	1
12	311025	M. BROOM DRIVE	PULLEY - MB PIVOT	1
17	311030	AUX. DRIVE	PULLEY - MOTOR AUX DRIVE	1
10	311035	AUX. DRIVE	PULLEY - TAPER LOCK	1
1	311006	AUX. DRIVE	PUMP - HYD UNIT W/RESERVOIR	1
	311020	CONTROL BOX	RESISTOR	1
11	311567	CONTROL BOX	RESISTOR	1
29	311425	MAIN BROOM	RETAINER - MB LEVER SEAL	1
10	300915	HOPPER	RETAINER - SHAKER MOTOR	1
8	311265	SIDE BROOM	RETAINER - SIDE BROOM	1
19	301998	LIFT ARM	RETAINING RING	2
20	311330	LIFT ARM	RETAINING RING 5100-150	4
1	311094	FRT. WHEEL	RIM - FRONT	1
22	311095	STEERING	RIM - REAR	1
18	300475	MAIN BROOM	RING - RETAINER INTERNAL	1
26	311032	BRAKES	RING - RETAINING	2
38	307431	LIFT ARM	RING - RETAINING 5100-125	2
35	311379	LIFT ARM	RING - RETAINING 5100-175 1.75	4

36	309619	STEERING	RING - RETAINING 5100-98	1
26	300548	MAIN BROOM	RING - RETAINING EXT.	2
4	311032	M. BROOM DRIVE	RING - RETAINING TRUARC 5160-98	2
14	311024	M. BROOM DRIVE	RING - RETAINING TRUARC N5000-156	1
9	311662	IMPELLER	RING - RETAINING TRUARE #5100-66	1
14	400125	DIR. CONTROL	RING - RUE 3/8	1
23	400125	MAIN BROOM	RING - RUE 3/8	2
24	400124	IMPELLER	RING - RUE 5/8	1
10	306246	MAIN BROOM	RING - SEAL RETAINER	1
	400441	HOPPER	RIVET - 1/8 X 3/8	3
14	400441	REAR COVER	RIVET - ALUM 1/8 X 1/4	7
	400441	MISCELLANEOUS	RIVET - DRIVE 1/8 X 1/4	4
	4000-0089	MISCELLANEOUS	RIVET - POP 3/16 X .602	4
36	311280	GASKET MNT.	ROD - AIR SHUTOFF	1
36	311280	IMPELLER	ROD - AIR SHUTOFF	1
6	311108	BRAKES	ROD - BRAKE	2
8	311291	DIR. CONTROL	ROD - DIR CONTROL - LONG	1
11	311290	DIR. CONTROL	ROD - DIR CONTROL - SHORT	1
26	311289	DIR. CONTROL	ROD - DIRECTIONAL	1
21	311166	MAIN BROOM	ROD - MB LIFT	1
25	311172	MAIN BROOM	ROD - PIVOT RETAINER	1
28	311316	LIFT ARM	SAFETY ARM	1
24	400323	HOPPER	SCR - 1/4-20 X .75 TRUSS HEAD	2
26	400051	S. BROOM LIFT	SCR - HSS 5/16 X .50	6
25	400355	M. BROOM DRIVE	SCR - LEVEL BOLT 3/8-16 X 2.5 LG	1
4	400468	CONTROL BOX	SCR - PAN HEAD 4 MM - .70 PITCH X 6 MM	4
15	400055	HOPPER	SCR - SET #10-24 X .31 LONG	1
13	400049	SIDE BROOM	SCR - SOCKET HD 1/4-20 X .75	1
3	400059	HOPPER	SCR - TRUSS HD 1/4-20 X .75 SS	8
5	400428	DIR. CONTROL	SCREW	2
4	INC. W/ #2	HOPPER LID	SCREW	
7	400045	CONTROL BOX	SCREW - #8-32 X .62 LG	2
33	400045	GASKET MNT.	SCREW - #8-32 X .62 LG ZP	2
33	400045	IMPELLER	SCREW - #8-32 X .62 LG ZP	2
45	311374	IMPELLER	SCREW - 1/4 SELF TAPPING	3
6	311374	REAR COVER	SCREW - 1/4 SELF TAPPING	2
34	400204	DIR. CONTROL	SCREW - 10-32 X 5/8 LG	4
6	400444	LIFT ARM	SCREW - FLAT HD 3/8-16 X 1.0	2
24	400315	CONTROL BOX	SCREW - HHM #10-32 X .50 LG	6
5	400054	IMPELLER	SCREW - SET 1/4-20 X .25	2
11	400054	LIFT ARM	SCREW - SET 1/4-20 X .25 LONG ZP	2



15	400459	AUX. DRIVE	SCREW - SET 1/4-20 X .62	2
40	400446	LIFT ARM	SCREW - SET 3/8-24 X 1.25 ZP	4
	311467	BRM. DOORS	SEAL - CENTER (AROUND DOOR)	1
11	301386	MAIN BROOM	SEAL - DUST	1
	311465	BRM. DOORS	SEAL - FRONT	2
4	311123	FRAME	SEAL - FRONT FRAME	1
7	311413	FRAME	SEAL - HOPPER SIDE	2
28	311424	MAIN BROOM	SEAL - M BROOM LEVER	1
	311466	BRM. DOORS	SEAL - REAR	2
15		STEERING	SEALANT - SILICONE	AS REQUIRED
22	300487	REAR COVER	SEAT - SUBURBAN (MICHIGAN V-550)	1
2	311249	IMPELLER	SHAFT - IMPELLER	1
2	311143	M. BROOM DRIVE	SHAFT - MAIN BROOM DRIVE	1
17	303551	BRAKES	SHIM - HAND BRAKE PLTD (.81 LG)	2
12	307004	IMPELLER	SHROUD - IMPELLER	1
23	311461	HYDRAULIC	SLEEVE - HOSE LIFT ARM	1
24	311462	HYDRAULIC	SLEEVE - HOSE ROTATION CYL	1
25	311463	HYDRAULIC	SLEEVE - HOSE SIDE BROOM	1
17	311026	M. BROOM DRIVE	SPACER	1
20	311297	DIR. CONTROL	SPACER - DIR CONTROL	2
22	311438	DIR. CONTROL	SPACER - DIR CONTROL	1
1	311381	H.D. BATTERY	SPACER - H.D. BATTERY	2
31	301440	MAIN BROOM	SPACER - MAIN BROOM	1
29	311146	M. BROOM DRIVE	SPACER - MB DRIVE	2
38	311426	MAIN BROOM	SPACER - MB LIFT	2
3	311319	AUX. DRIVE	SPACER - PUMP	1
10	301521	BRAKES	SPRING	1
39	301713	IMPELLER	SPRING	1
39	304160	GASKET MNT.	SPRING	1
27	311033	M. BROOM DRIVE	SPRING	1
31	311439	DIR. CONTROL	SPRING	1
14	311566	SIDE BROOM	SPRING - SIDE BROOM	1
26	311196	STEERING	STEERING GEAR - PURCHASED	1
11	311430	BRM. DOORS	STRAP - BROOM DOOR LEFT FRONT	1
10	311431	BRM. DOORS	STRAP - BROOM DOOR LEFT REAR	1
3	311329	BRM. DOORS	STRAP - BROOM DOOR RETAINER RIGHT	1
10	311390	FRAME	STRAP - RETAINER REAR FLAP PNTD	1
4	307590	DIR. CONTROL	SWITCH - FWD/REV	1
	307610	MISCELLANEOUS	SWITCH - IGNITION	1
5	300441	R. C. INST. PANEL	SWITCH - MOMENTARY	2
3	307552	R. C. INST. PANEL	SWITCH - ROCKER	2

17	311372	REAR COVER	SWITCH - SAFETY REAR CLIP	1
14	302267	HYDRAULIC	TIE - NYLON	10
	301358	HOPPER	TIE - WIRE	3
	301358	MISCELLANEOUS	TIE - WIRE	10
	301358	REAR COVER	TIE - WIRE	5
23	311002	STEERING	TIRE - SOLID PRESS-ON 12.12 ID	1
3	311003	FRT. WHEEL	TIRE - SOLID PRESS-ON 4 X 18 X 14 ID	1
1	311001	STEERING	TRANSMISSION - SW62	1
27	311660	IMPELLER	TURNBUCKLE - HOOK & HOOK	1
1	311014	HYDRAULIC	VALVE - CONTROL	1
10	400104	REAR COVER	WASHER - #10 LOCK	4
44	400383	IMPELLER	WASHER - 1/4 CONICAL SPRING	7
23	400383	REAR COVER	WASHER - 1/4 CONICAL SPRING	4
12	400383	SIDE BROOM	WASHER - 1/4 CONICAL SPRING	1
5	400385	AUX. DRIVE	WASHER - 3/8 CONICAL SPRING	10
30	400385	M. BROOM DRIVE	WASHER - 3/8 CONICAL SPRING	2
12	400385	MAIN BROOM	WASHER - 3/8 CONICAL SPRING	4
5	400092	FRT. BUMPER	WASHER - 3/8 FENDER	4
9&14	400092	LIFT ARM	WASHER - 3/8 FENDER ZP	2
4	400087	LIFT ARM	WASHER - 3/8 FLAT	4
15	400087	M. BROOM DRIVE	WASHER - 3/8 FLAT	1
8	400384	FRT. BUMPER	WASHER - 5/16 CONICAL SPRING	4
3	400384	H.D. BATTERY	WASHER - 5/16 CONICAL SPRING	6
17	400384	HOPPER	WASHER - 5/16 CONICAL SPRING	4
12	400384	HOPPER LID	WASHER - 5/16 CONICAL SPRING	4
35	400384	MAIN BROOM	WASHER - 5/16 CONICAL SPRING	2
3	400384	MISCELLANEOUS	WASHER - 5/16 CONICAL SPRING	2
21	400384	REAR COVER	WASHER - 5/16 CONICAL SPRING	4
38	400384	STEERING	WASHER - 5/16 CONICAL SPRING	4
4	400088	FRT. BUMPER	WASHER - 5/16 FLAT	4
14	400088	HOPPER LID	WASHER - 5/16 FLAT	6
	400384	AUX. DRIVE	WASHER - 5/16-18 CONICAL SPRING	4
9	400383	HYDRAULIC	WASHER - CONICAL 1/4 SPRING	5
9	400383	CONTROL BOX	WASHER - CONICAL SPRING 1/4	6
36	400383	DIR. CONTROL	WASHER - CONICAL SPRING 1/4	2
21	400385	CONTROL BOX	WASHER - CONICAL SPRING 3/8	2
41	400385	DIR. CONTROL	WASHER - CONICAL SPRING 3/8	1
19	400091	MAIN BROOM	WASHER - FENDER 1/2	1
11	400092	SIDE BROOM	WASHER - FENDER 3/8	1
19	400178	DIR. CONTROL	WASHER - FIBERGLIDE 1/2	6

27	400103	S. BROOM LIFT	WASHER - FLANGE 1/4 LOCK	6
13	400096	DIR. CONTROL	WASHER - FLAT #8	2
25	400086	AUX. DRIVE	WASHER - FLAT 1/2	1
23	400086	IMPELLER	WASHER - FLAT 1/2"	2
28	400087	AUX. DRIVE	WASHER - FLAT 3/8	2
24	400087	DIR. CONTROL	WASHER - FLAT 3/8	3
25	400087	IMPELLER	WASHER - FLAT 3/8	2
13	400088	BRAKES	WASHER - FLAT 5/16	2
	400088	BRM. DOORS	WASHER - FLAT 5/16	5
22	400088	SIDE BROOM	WASHER - FLAT 5/16 STANDARD ZP	2
43	400088	GASKET MNT.	WASHER - FLAT 5/16 ZP	2
43	400088	IMPELLER	WASHER - FLAT 5/16 ZP	2
23	311012	LIFT ARM	WASHER - HI-DUMP SPACER SEC. ARM	4
18	400272	REAR COVER	WASHER - INTERNAL STAR 3/8	1
23	400103	AUX. DRIVE	WASHER - LOCK 1/4	1
33	400103	M. BROOM DRIVE	WASHER - LOCK 1/4	3
38	400103	GASKET MNT.	WASHER - LOCK 1/4 SPLIT ZP	1
38	400103	IMPELLER	WASHER - LOCK 1/4 SPLIT ZP	1
21	400101	AUX. DRIVE	WASHER - LOCK 3/8	1
5	400101	SIDE BROOM	WASHER - LOCK 3/8 SPLIT	4
13	400101	STEERING	WASHER - LOCK 3/8	4
27	400102	BRAKES	WASHER - LOCK 5/16	12
7	400102	HOPPER LID	WASHER - LOCK 5/16	1
19	400102	STEERING	WASHER - LOCK 5/16	5
40	400102	GASKET MNT.	WASHER - LOCK 5/16 SPLIT ZP	2
40	400102	IMPELLER	WASHER - LOCK 5/16 SPLIT ZP	2
18	311013	M. BROOM DRIVE	WASHER - MB RETAINER	1
16	311013	MAIN BROOM	WASHER - MB RETAINER	1
6	311327	BRM. DOORS	WASHER - NYLON	6
34	311295	LIFT ARM	WASHER - SPACER LIFT PINS ZP	4
25	311219	LIFT ARM	WASHER - SPACER ROTATION PLATE	4
14	301053	HOPPER	WEIGHT - ECCENTRIC	1
41	303220	STEERING	WHEEL - STEERING	1